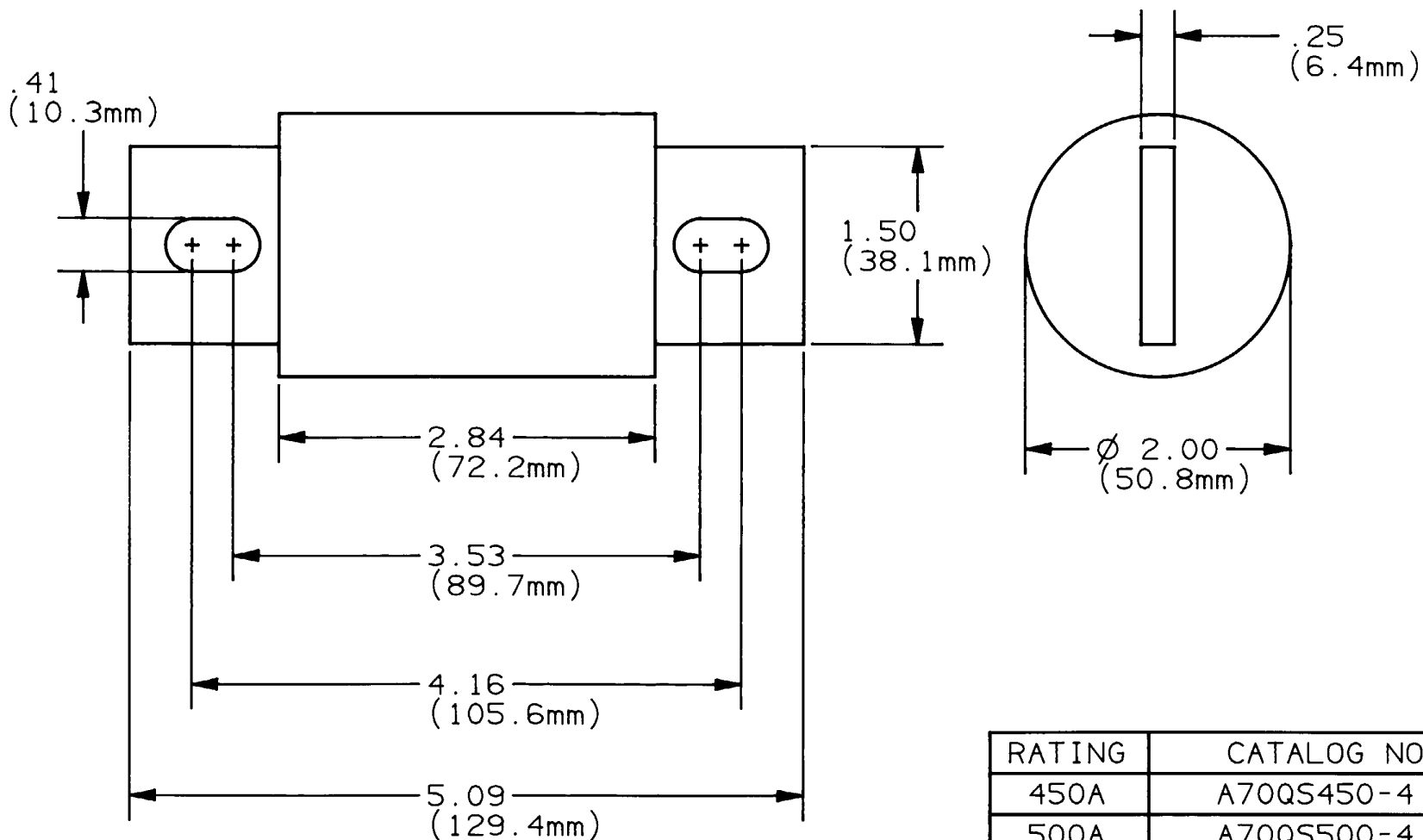


106085



| RATING | CATALOG NO. |
|--------|-------------|
| 450A | A70QS450-4 |
| 500A | A70QS500-4 |
| 600A | A70QS600-4 |



GOULD 374 MERRIMAC STREET
NEWBURYPORT, MA 01950

PRODUCT MANAGER

DESIGN ENGINEER

SIGN: *A. Wilkinson*
DATE: *5/31/94*

SIGN: *D. E. Scovron*
DATE: *5-24-94*

FORM 101 TYPE 4

450-600A 700V

OUTLINE DIMENSIONS
NOT TO BE USED FOR PRODUCTION

106085