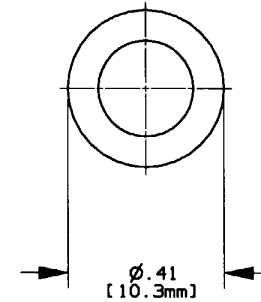
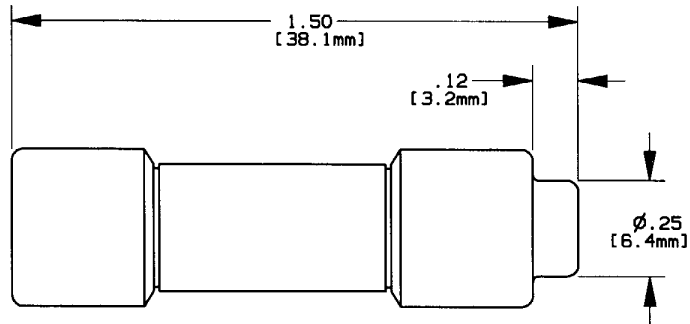


REV	DATE	ECO	DESCRIPTION	BY	CK	APP
C	4/23/02	N/A	REDRAWN ADDED AMP RATING 30-HD	LAS	N/A	N/A

ATMR30-HD	30-HD
ATMR30	30
ATMR25	25
ATMR20	20
ATMR15	15
ATMR12	12
ATMR10	10
ATMR9	9
ATMR8	8
ATMR7	7
ATMR6	6
ATMR5	5
ATMR4	4
ATMR3-1/2	3.5
ATMR3	3
ATMR2-1/2	2.5
ATMR2	2
ATMR1-1/2	1.5
ATMR1	1
ATMR3/4	.75
ATMR1/2	.5
ATMR3/10	.3
ATMR1/4	.25
ATMR2/10	.2
ATMR1/8	.125
ATMR1/10	.1
CATALOG NUMBER	AMP RATING



**Ferraz Shawmut**  
 FERRAZ SHAWMUT INC.  
 374 MERRIMAC STREET  
 NEWBURYPORT, MA 01950

PRODUCT MANAGER	DESIGN ENGINEER
SIGN: <i>PT Little</i>	SIGN: <i>gm</i>
DATE: 4/23/02	DATE: 4/23/02

FORM 600, CLASS CC  
 1A-30A 600V  
 ATMR(AMP RATING)

OUTLINE DIMENSIONS  
 NOT TO BE USED FOR PRODUCTION

18266