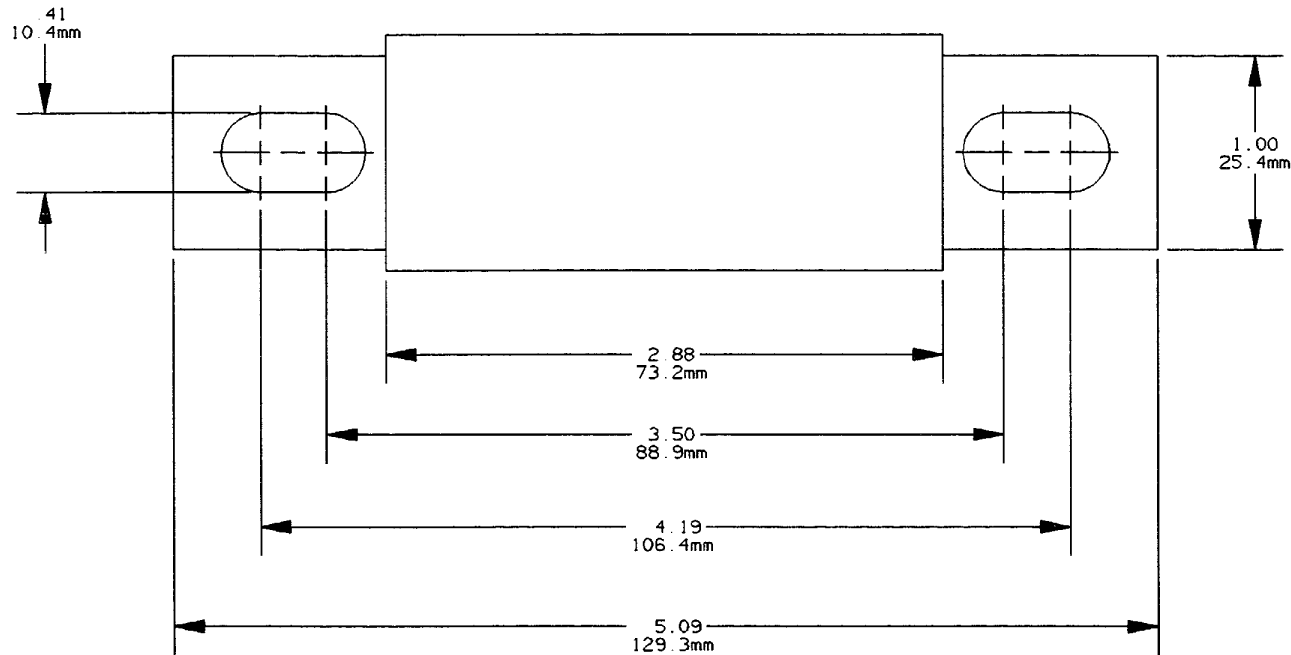


Control No 8712

REV	DATE	ECO	DESCRIPTION	BY	CK	APP
-	7-15-96	N/A	INIT RELEASE	GCT		(SEE ECO)



GOULD

374 MERRIMAC STREET
NEWBURYPORT, MA 01950

PRODUCT MANAGER

DESIGN ENGINEER

SIGN: *[Signature]*
DATE: 7/16/96

SIGN: David E. Sullivan
DATE: 7-16-96

FORM 101
700 VOLT
A700S[125-200]-4K

OUTLINE DIMENSIONS
NOT TO BE USED FOR PRODUCTION

700021