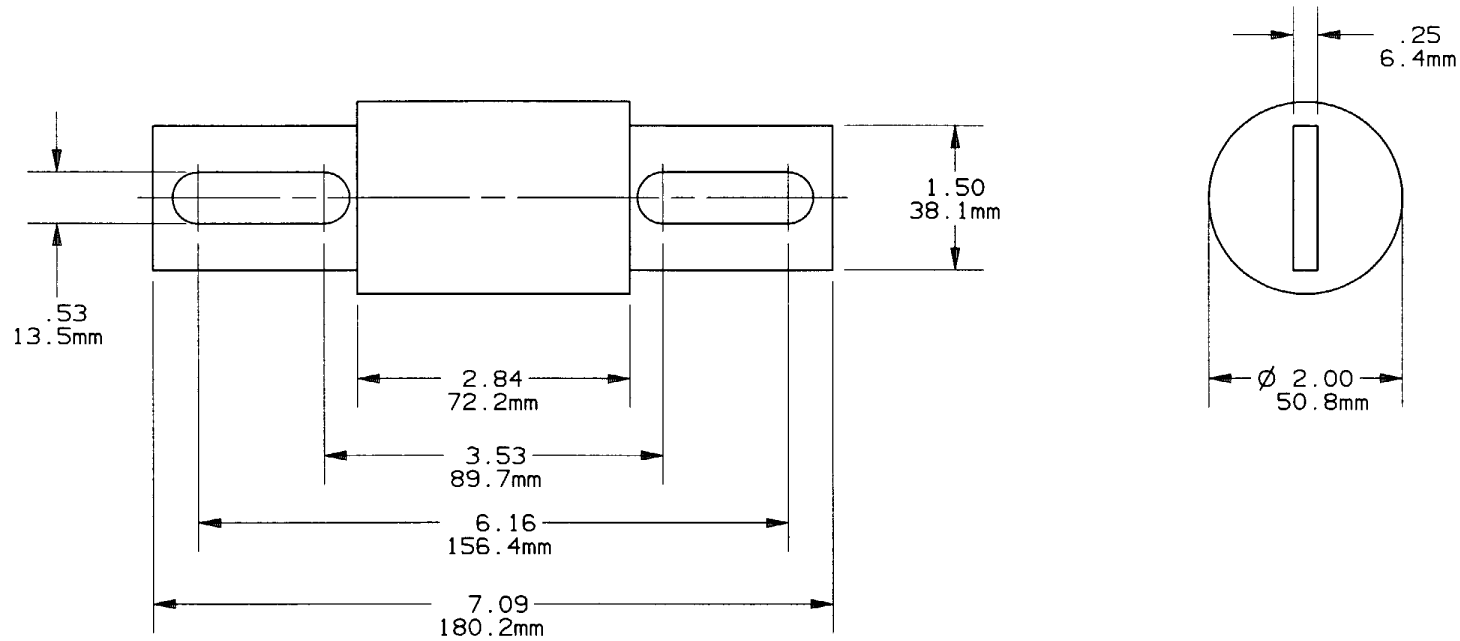


REV	DATE	ECO	DESCRIPTION	BY	CK	APP
-	7-11-96	N/A	INIT RELEASE	GCT	N/A	N/A
A	7-21-99	N/A	ADDED 450 VOLTS TO CATALOG NO.	GCT	N/A	N/A



GOULD 374 MERRIMAC STREET
NEWBURYPORT, MA 01950

PRODUCT MANAGER

DESIGN ENGINEER

SIGN: *X. C. G. Cone*
DATE: 11/4/99

SIGN: *D. E. Sullivan*
DATE: 7/22/99

FORM 101
600 AMP 700 VOLT
A70QS(450-600)-4K

OUTLINE DIMENSIONS
NOT TO BE USED FOR PRODUCTION

700022