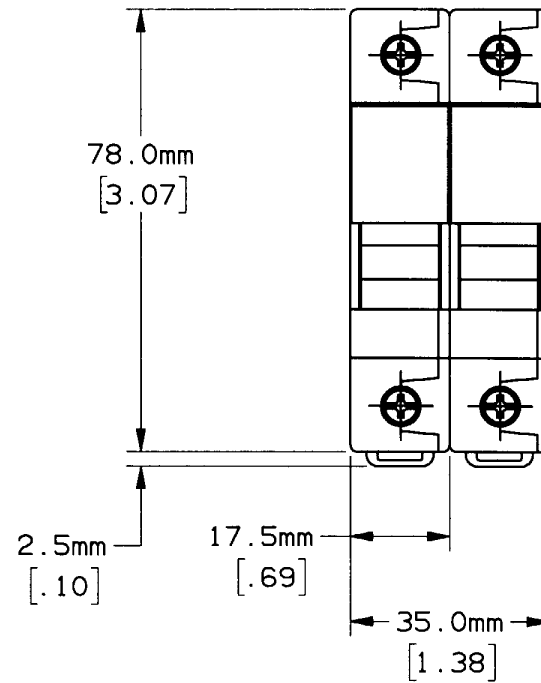
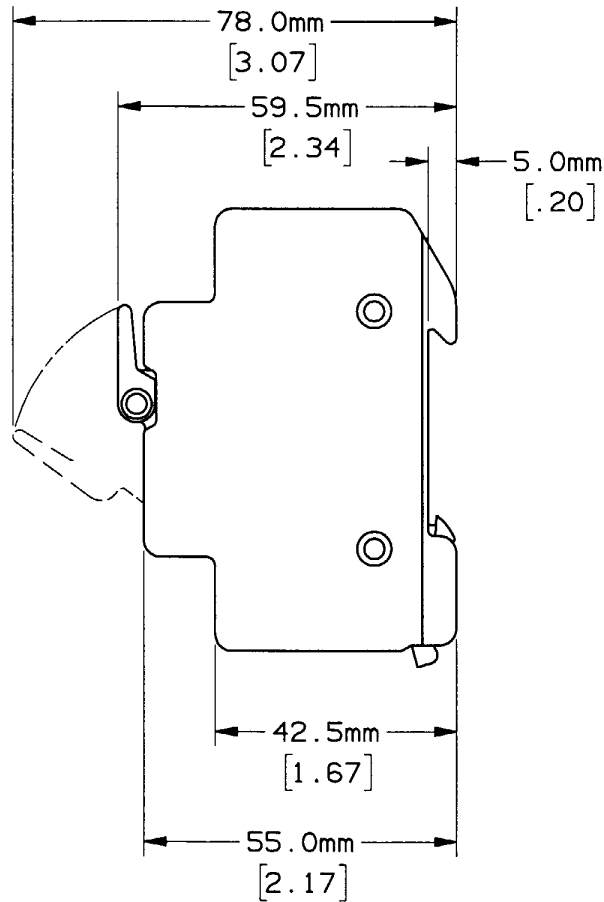


REV	DATE	ECO	DESCRIPTION	BY	CK	APP
-	3-10-99	N/A	INIT RELEASE	GCT	N/A	N/A



NOTES:

1. MATERIAL COMPOSITION AND RATING THERMOPLASTIC - 150°C RTI.
2. DIMENSIONS ARE mm/[INCHES]
3. TOLERANCES ARE ±.01 UNLESS OTHERWISE SPECIFIED.

P/N	CONN TYPE	RMS SYM RATING	TORQUE (IN-LBS)	WIRE			U/L		CSA
				WIRE RANGE	°C	TYPE	FILE NO.	GUIDE NO.	REPORT NO.
USM2 USM2I	PRESSURE PLATE	100K	14.75	#6-#14	60/75	CU	E52283	IZLT2	LR32169



GOULD 374 MERRIMAC STREET
NEWBURYPORT, MA 01950

PRODUCT MANAGER

DESIGN ENGINEER

SIGN: *Michael D. Dulan*
DATE: 4-5-99

SIGN: *Elizabeth K. Kuzon*
DATE: 4-5-99

FUSE HOLDER, 600V-30A, 2 POLE
MIDGET

OUTLINE DIMENSIONS
NOT TO BE USED FOR PRODUCTION

700426