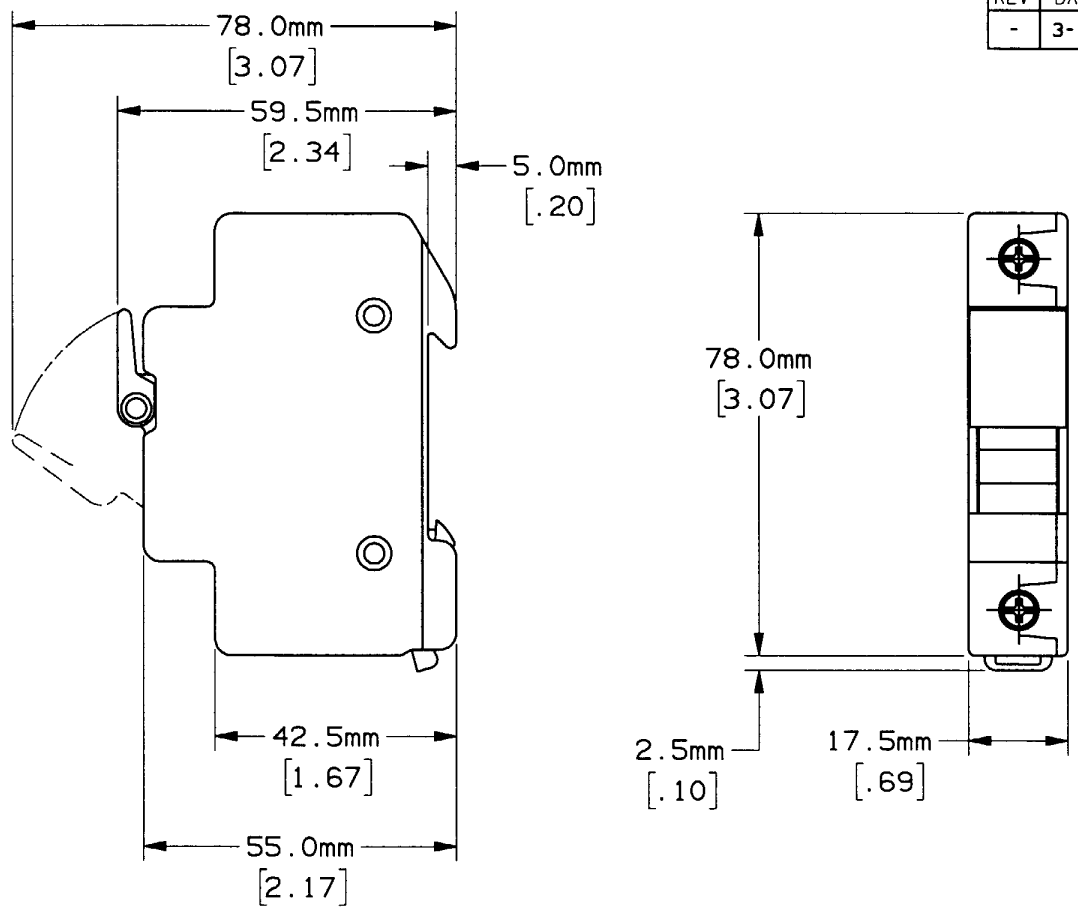


REV	DATE	ECO	DESCRIPTION	BY	CK	APP
-	3-11-99	N/A	INIT RELEASE	GCT	N/A	N/A



P/N	CONN TYPE	RMS SYM RATING	TORQUE (IN-LBS)	WIRE			U/L		CSA
				WIRE RANGE	°C	TYPE	FILE NO.	GUIDE NO.	REPORT NO.
USCC11-DC24	PRESSURE PLATE	200K	14.75	#6-#14	60/75	CU	E52283	IZLT	LR32169

- NOTES:
1. MATERIAL COMPOSITION AND RATING THERMOPLASTIC - 150°C RT1.
  2. DIMENSIONS ARE mm/[INCHES]
  3. TOLERANCES ARE ±.01 UNLESS OTHERWISE SPECIFIED.

**GOULD** 374 MERRIMAC STREET  
NEWBURYPORT, MA 01950

PRODUCT MANAGER  
SIGN: *Michael Wilson*  
DATE: 4-5-99

DESIGN ENGINEER  
SIGN: *Elyzabeth Ryan*  
DATE: 4-5-99

FUSE HOLDER, 24V-30A, 1 POLE  
CLASS CC

OUTLINE DIMENSIONS  
NOT TO BE USED FOR PRODUCTION  
  
700442