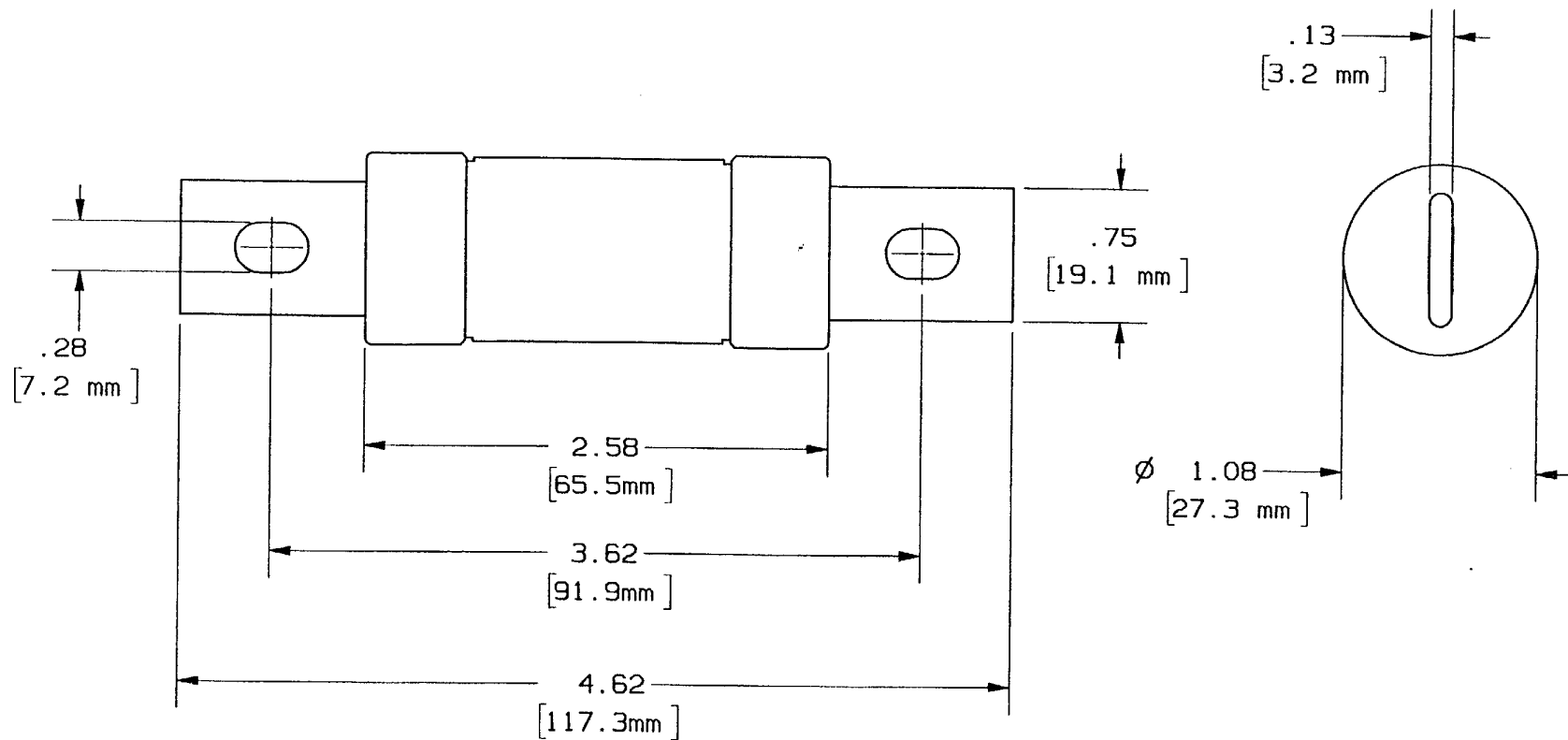


| REV | DATE | ECO | DESCRIPTION | BY | CK | APP |
|-----|---------|-----|-----------------|-----|----|-----|
| - | 9-17-02 | NA | INITIAL RELEASE | KMH | | NA |



Ferraz Shawmut

FERRAZ SHAWMUT INC.
374 MERRIMAC STREET
NEWBURYPORT, MA 01950

CLASS J

HIGH SPEED

HSJ(70-100)

70A-100A 600V

OUTLINE DIMENSIONS
NOT TO BE USED FOR PRODUCTION

700886

PRODUCT MANAGER

DESIGN ENGINEER

SIGN: *[Signature]*
DATE: 4-4-03

SIGN: *[Signature]*
DATE: 4/4/03