

CL-14 SERIES

E-RATED/MEDIUM VOLTAGE FUSES



HIGHLIGHTS:

- E-Rated
- UL Listed 5.5kV
- Complies with ANSI C37.46

APPLICATIONS:

- Protection for 5.5kV or 15.5kV transformers or distribution systems



DEFINITIONS:

E-rating

E-rated fuses operate as follows:
 100E or less - must melt in 300 seconds (5 mins.) at 200 to 240% of E (ampere) rating.
 Over 100E - must melt in 600 seconds (10 mins.) at 220 to 264% of E (ampere) rating.
 Example - A 100E fuse must melt in 300 seconds with an applied current of 200 to 240 amperes.

General Purpose Current-Limiting Fuse

A general purpose current-limiting power fuse is one that is capable of interrupting all currents from its rated interrupting rating down to the current that causes melting of the fusible element in one hour.

5kV AND 15kV CLIP-LOCK MOUNTED FUSES

Amp-trap® CL-14 E-rated 5kV and 15kV fuses have 3" diameter barrels and mount in unique cam-locking clips, for superior connections as well as easy installation and replacement. They are UL listed as "general purpose current-limiting fuses" and are for use indoors (or outdoors in a weatherproof enclosure). The unique time-current characteristic of Ferraz Shawmut E-rated fuses allows them to be closely sized to transformer full load rated current, as recommended by IEEE guidelines, without being affected by normal magnetizing inrush current. CL-14 fuses are typically sized at transformer rated current of 133%, thereby providing superior overall protection.

E

Features/Benefits

- **UL Listed** for compatibility with UL listed equipment
- **Clip-Lock mounting** for reliable high integrity connection into circuit
- **Current limiting** for superior equipment protection
- **Blown-fuse indicator** gives positive identification of open fuse
- **Non-venting** for silent operation
- **Metal Embossed Catalog Number** and manufacturing date for lasting identification

Ratings

- **A055C**
AC: 10E to 600E
 5.5kV, 63kA I.R. Sym.
- **A155C**
AC: 10E TO 300E
 15.5kV, 50kA I.R. Sym

Approvals

- UL Listed to JEEG, "Fuses Over 600 Volts"
 UL File # E143362

Clip-Lock Clips for CL-14 Fuses:

228-700-520 (One pair of clips)

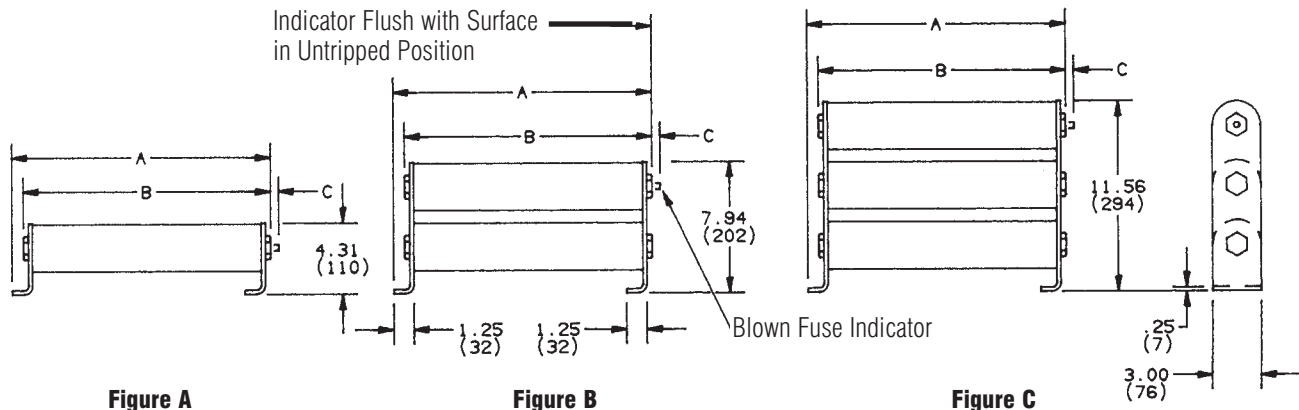
CL-14

E-RATED/MEDIUM VOLTAGE FUSES/A155C

15.5kV Clip-Lock Mounted

Catalog Numbering System

A	1	5	5	C	1	D	0	R	0	-	8	0	E
											Ampere Rating		
											Revision/No.		
											Special Features		
											Diameter (D=3")		
											No. of Barrels		
											Style (C= Clip Lock Mount)		
											Max. Voltage Rating (155=15.5kV)		
Amp-trap Fuse													



Catalog Numbers, Ratings, Dimensions, CL-14 Series, 15.5kV

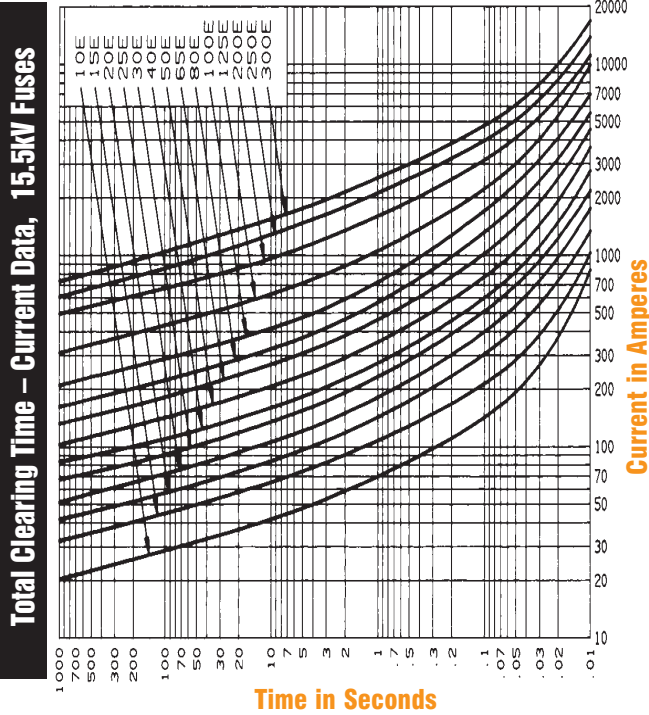
NEW CATALOG NUMBER	OLD CATALOG NUMBER	AMPERE RATING	NUMBER OF BARRELS	FIG.	DIMENSIONS Inches (mm)			INTERRUPTING RATING RMS SYM.* AMPERES
					A	B	C	
15.5kV Max. – Clip-Lock Style – 18.25" (464mm) Clip Centers – 3" (76.2mm) Barrel Diameter								
A155C1DORO-10E	225-007-967	10E	1	A	19.81 (504)	19.12 (486)	0.5 (13) Tripped Force 2 lbs.	50,000
15E	968	15E						
20E	969	20E						
25E	970	25E						
30E	971	30E						
40E	972	40E						
50E	973	50E						
15.5kV Max. – Clip-Lock Style – 21.25" (540mm) Clip Centers – 3" (76.2mm) Barrel Diameter								
A155C1DORO-65E	225-007-974	65E	1	A	22.81 (580)	22.12 (562)	0.5 (13)	50,000
80E	975	80E						
100E	976	100E						
A155C2DORO-125E	977	125E	2	B			Tripped Force 2 lbs	
A155C3DORO-150E	978	150E	3	C				
200E	979	200E						
250E	980	250E						
300E	981	300E						

* RMS ASYM. AMPERES = RMS SYM. AMPERES x 1.6

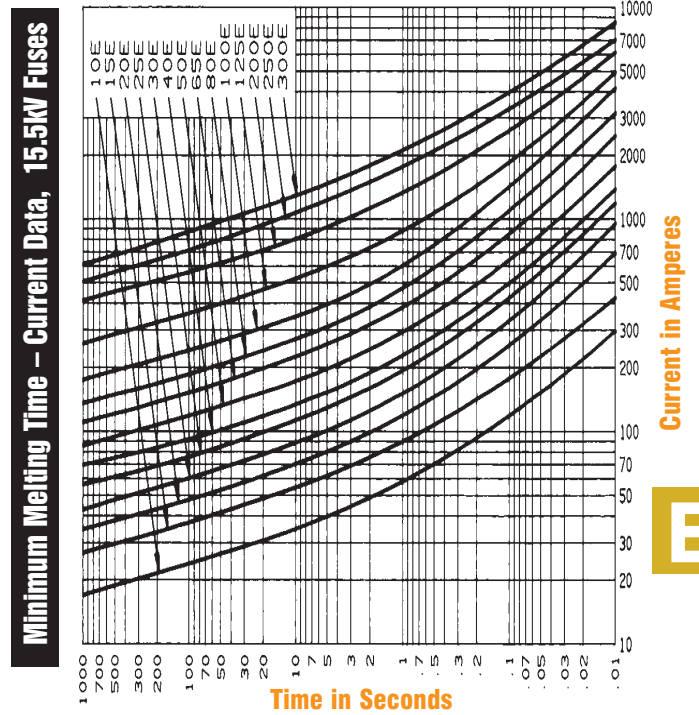
CL-14

E-RATED/MEDIUM VOLTAGE FUSES/A155C

A155C1DORO – 10E to 100E / A155C2DORO – 125E / A155C3DORO – 150E to 300E

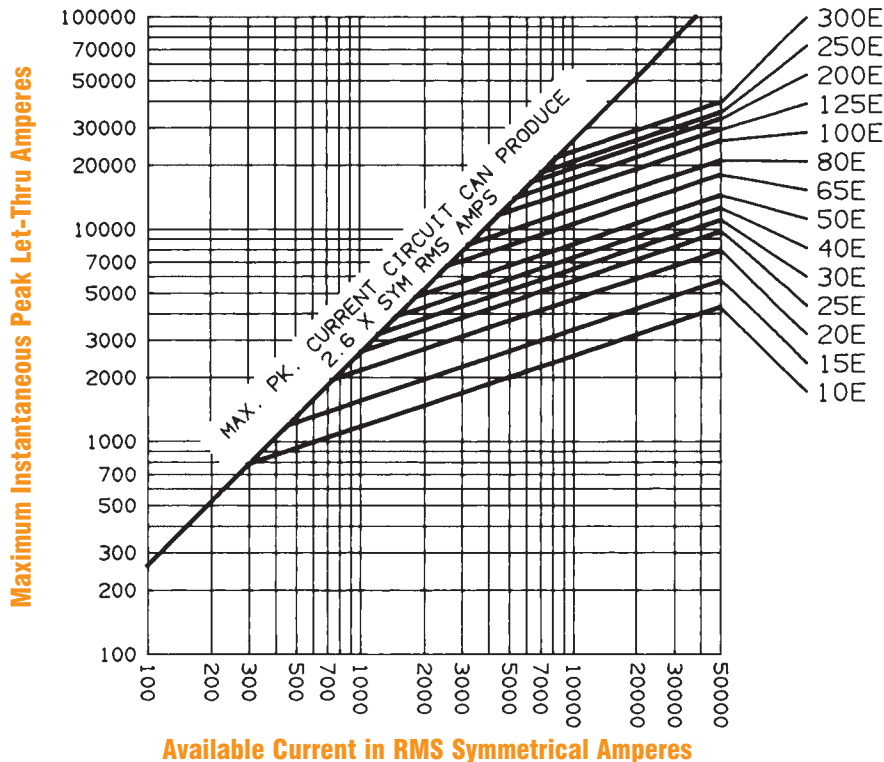


A155C1DORO – 10E to 100E / A155C2DORO – 125E / A155C3DORO – 150E to 300E



**A155C1DORO – 10E to 100E
A155C2DORO – 125E, A155C3DORO – 150E to 300E**

Peak Let-Thru Current Data, 15.5kV CL-14 Fuses



Current in Amperes

E