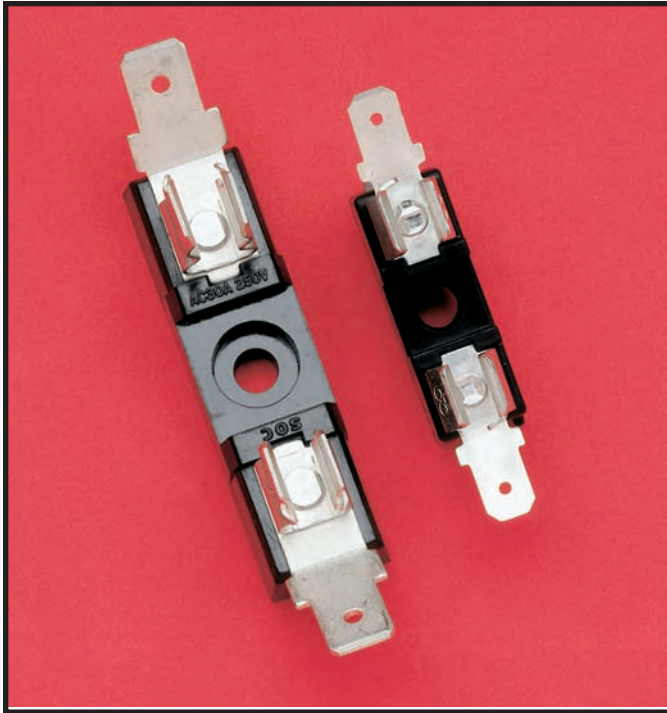


# 5X20QC1/6X32QC1

## FUSE BLOCKS



### RECOMMENDED FUSE USAGE

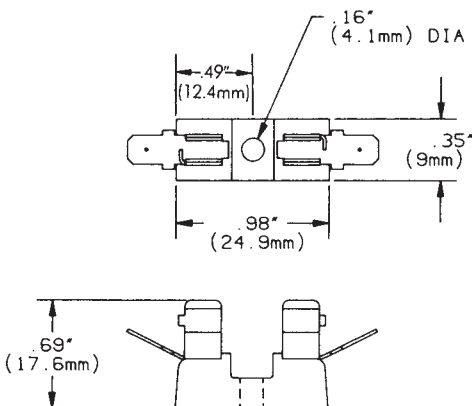
**5X20QC1** . . . . . use with **GGM, GGA, GSA, GSB, GDG**

**6X32QC1** . . . . . use with **GSA, GDL, GGC, GAB**

## 5X20QC1

**SINGLE POLE FUSE BLOCK for 5mm x 20mm fuses**

- Tin plated clips
- Polyester insulator
- 3/16" quick-connect terminals
- Rated 15A, 250V
- UL Recognized



## 6X32QC1

**SINGLE POLE FUSE BLOCK for 1/4" x 1-1/4" fuses**

- Tin plated phosphor bronze clips
- Phenolic insulator
- 1/4" quick-connect terminals
- Rated 30A, 250V - UL Recognized

