

A240R/A480R/A072F/A072B

MED. VOLTAGE FUSES/R-RATED



R-RATED MOTOR STARTER FUSES

Amp-trap® R-rated fuses are current-limiting, high interrupting rating fuses intended for the short-circuit protection of medium voltage motors and motor controllers. R-rated fuses are back up fuses that have a minimum interrupting rating, and must be coordinated with overload relays in combination motor starters. The motor starter manufacturer generally specifies the R-rated fuse size. Amp-trap® R-rated fuses are rated 2R to 36R, at 2.4, 4.8, and 7.2kV. 4.8 and 7.2kV fuses are UL Recognized. The 4.8kV (A480R) is available with hookey tab. The 7.2kV (A072F) series has the same dimensions as the 4.8kV (A480R), allowing smaller 7.2kV equipment or 4.8kV upgrades, and is available as a bolt in version.

Features/Benefits

- **Ferrule mounting** for standard clips and interchangeability with other brands of fuses
- **7.2kV series** has the same dimensions as 4.8kV fuses, allowing compact, higher voltage rated designs
- **7.2kV bolt-in design** is available for improved design flexibility
- **Optional hookey on 4.8kV** for non load-break isolation by hookstick

HIGHLIGHTS:

- R-Rated
- All voltage ratings UL Recognized

APPLICATIONS:

- Short circuit protection of medium voltage motors and motor controllers



DEFINITIONS:

R-Rating:

An “R” rated fuse will melt in the range of 15 to 35 seconds at a value of current equal to 100 times the “R” rating.

Back-up type Current-Limiting Fuse:

A current limiting fuse which can interrupt any current between it’s rated minimum interrupting current and it’s maximum interrupting current. Backup fuses are not designed or intended to open under overload conditions.

Ratings

- **A240R**
AC: 1R to 36R
2750V, 65kA I.R. Sym.
- **A480R**
AC: 2R to 36R
5500V, 63kA I.R. Sym.
- **A072F, A072B**
AC: 2R to 24R

Approvals

- UL Recognized Component A240R @ 2600V, 65kA, Sym.
A480R @ 5080V, 50kA, Sym.
A072 @ 7200V 50kA, Sym.
UL File #E93367

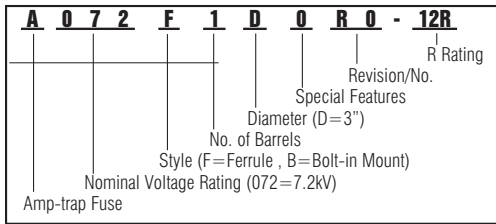
Spring-Reinforced Clips

228-700-530 (One pair of clips)
For 3” Diameter, 2 barrels max.

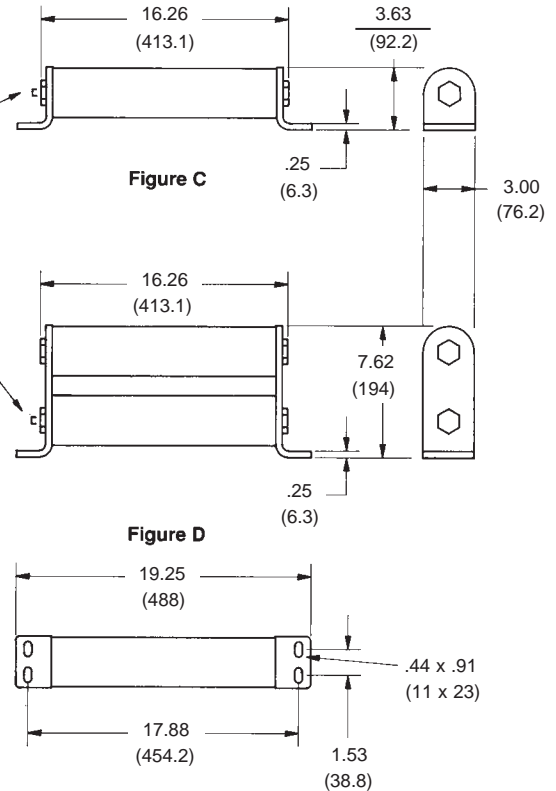
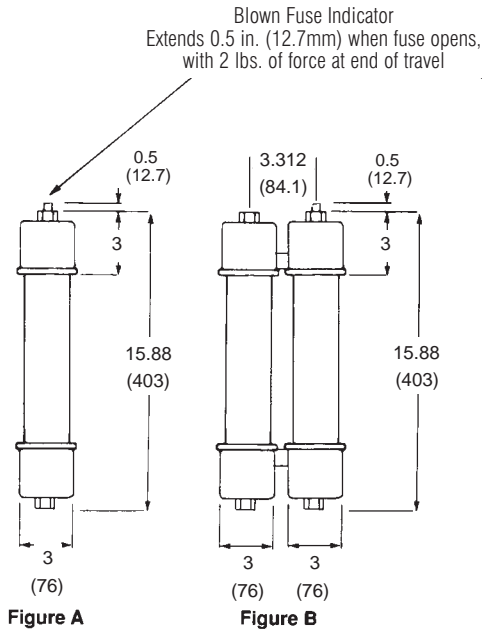
A072F/A072B

MEDIUM VOLTAGE FUSES/R-RATED

Catalog Numbering System



7.2kV Ferrule & Bolt-in Types



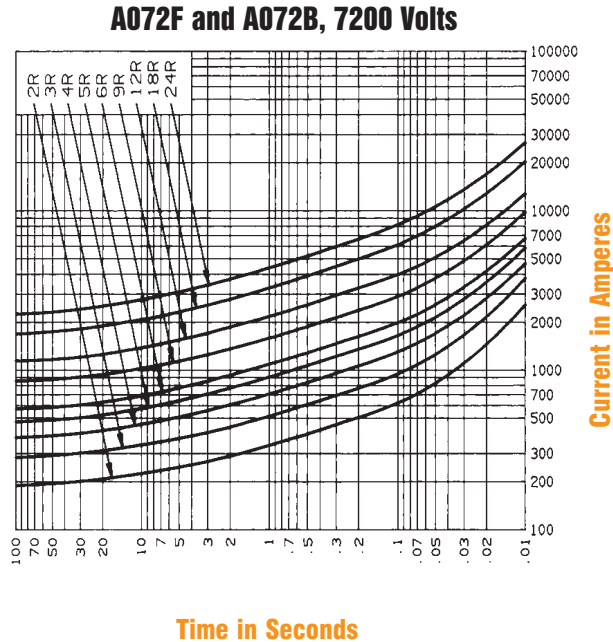
Catalog Numbers, Ratings, Dimensions, 7.2kV

FIG.	CATALOG NUMBER	RATING	ALLOWABLE CONTINUOUS AMPERE RATING at 40 °C	MINIMUM INTERRUPTING RATING RMS AMPERES	1 PHASE INTERRUPTING RATING UL COMPONENT RECOGNITION	
					RMS Asym.	RMS Sym.
Ferrule Type						
A	A072F1DORO-2R	2R	70	190	80kA @ 7200V	50kA @ 7200V
	A072F1DORO-3R	3R	100	225		
	A072F1DORO-4R	4R	130	330		
	A072F1DORO-5R	5R	150	400		
	A072F1DORO-6R	6R	170	500		
	A072F1DORO-9R	9R	200	740		
B	A072F1DORO-12R	12R	230	955		
	A072F2DORO-18R	18R	390	1440		
	A072F2DORO-24R	24R	450	1910		
Bolt-in Type						
C	A072B1DARO-2R	2R	70	190	80kA @ 7200V	50kA @ 7200V
	A072B1DARO-3R	3R	100	225		
	A072B1DARO-4R	4R	130	330		
	A072B1DARO-5R	5R	150	400		
	A072B1DARO-6R	6R	170	500		
	A072B1DARO-9R	9R	200	740		
D	A072B1DARO-12R	12R	230	955		
	A072B2DARO-18R	18R	390	1440		
	A072B2DARO-24R	24R	450	1910		

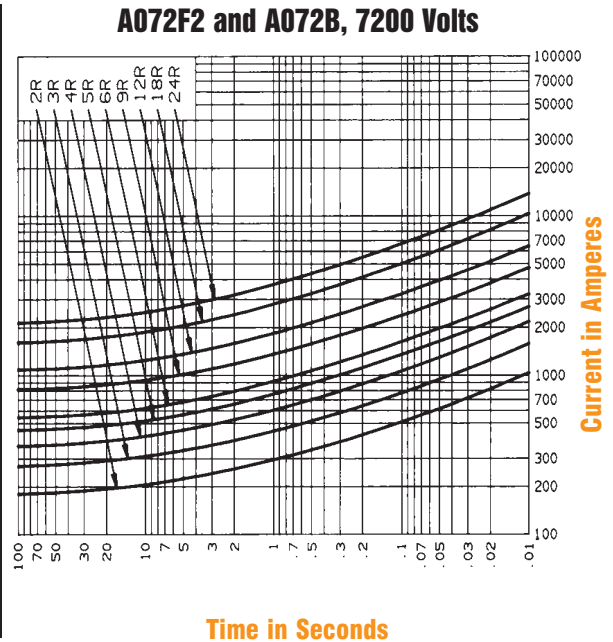
A072F/A072B

MEDIUM VOLTAGE FUSES/R-RATED

Total Clearing Time – Current Data, 7.2kV Fuses



Minimum Melting Time – Current Data, 7.2kV Fuses



A072F and A072B2, 7200 Volts

Peak Let-Thru Current Data, R-Rated Fuses

