

# USBB UltraSafe™ Bus Bar System

## Bus bar systems for use with UltraSafe class CC and midget fuse holders.

Mersen USBB UltraSafe bus bar systems are intended for use with UltraSafe Class CC (USCC) and Midget (USM) fuse holders. The USBB delivers safe and reliable combination of circuits in a compact design. Bus bar systems reduce installation time when compared to wire solutions, offer space savings and deliver touch-safe, shock resistant solutions to panel builders and designers.

### Highlights:

- Decrease installation when compared to wire solutions
- Save panel space with compact design and footprint
- Reduce shock hazards with touch-safe cover (included)
- Eliminate excess costs associated with terminal blocks and labor for wire installation
- Increase design flexibility
- Environmentally conscious, RoHS compliant and lead free
- Protective covers available for unused poles

### Applications:

- UL 508 panels
- Solar string combiner boxes
- Control panels
- Power distribution panels



### Ratings:

#### USBB Bus Bar

- Volts** : 600VAC  
: 1000VDC
- Amps** : 100A (End Feed)  
: 200A (Center Feed)
- SCCR** : 10kA  
: 100kA (with 200A J Fuse)

#### USBB Feeder Terminal

- Volts** : 600VAC  
: 1000VDC
- Amps** : 115A Maximum
- SCCR** : 10kA  
: 100kA (with 200A J Fuse)

## Catalog Numbers

### Bus Bar

Catalog No.	Phase	Poles	Cross Section	Pitch	Material
USBB1PH25K6	1	6	25mm <sup>2</sup>	17.8mm	Copper
USBB1PH25K8		8			
USBB1PH25K12		12			

### Feeder Terminal

Catalog No.	Wire Range	Wire Type	Torque
USBBC1	10 - 1/0 AWG	60°C Cu	50 lb-in

### Protective Cover

Catalog No.	Qty per Unit
USBBPC	5

### Approvals:

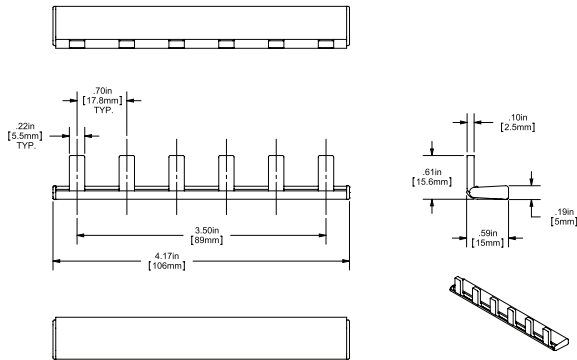
- UL Listed, File E348854
- IEC Compliant



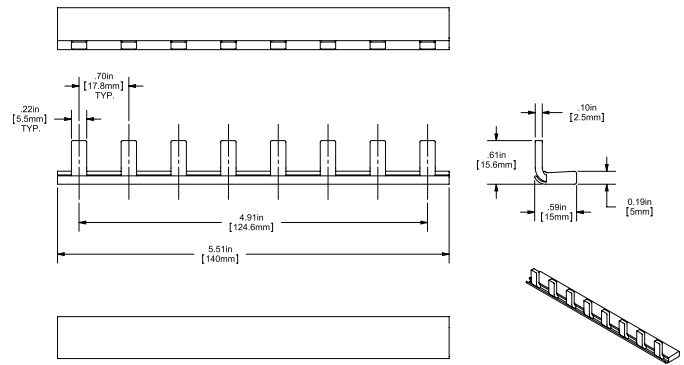
# USBB UltraSafe™ Bus Bar System

## Dimensions

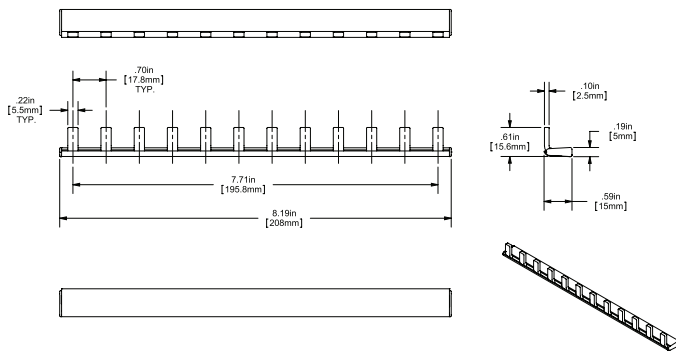
### USBB1PH25K6



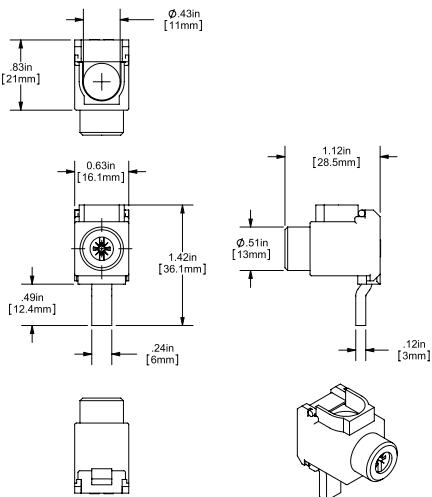
### USBB1PH25K8



### USBB1PH25K12



### USBBC1



### USBBPC

