

CLASS H, K & R

250 & 600 VOLT/FUSE BLOCKS



CLASS H, K AND R FUSE BLOCKS

Ferraz Shawmut Class H, K and R Fuse Blocks accommodate all Class H, K and R 250 and 600V power fuses. A choice of screw, pressure plate, box and special order stud connectors fit a wide range of stranded or solid copper or aluminum wire. Insulators are either molded glass-filled polycarbonate (GFPC) or phenolic with verified dielectric strength in excess of 2500V. 30, 60 and 100A fuse blocks feature a unique adder block which can be snapped onto 1-, 2- or 3-pole blocks to form multi-pole segmented blocks of as many poles as desired. All fuse clips are made of high conductivity tin-plated copper, with a choice of spring reinforced or non-spring reinforced clips in 30A and 60A. Clips 100A and above are spring reinforced.

RECOMMENDED FUSE USAGE

Class R Blocks (250V) use with **A2D-R, A2K-R, TR-R**
Class R Blocks (600V) use with **A6D-R, A6K-R, TRS-R**
Class H & K Blocks (250V) use with **OT, RF, A2Y types 1 & 3**
OTN, CRN, NRN

Class H & K Blocks (600V) use with **OTS, RFS, A6Y types 1 & 3**
CRS, NRS

Ratings



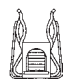


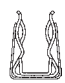

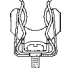


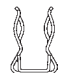



- 250VAC:
30A, 60A, 100A,
200A, 400A, 600A
- 600VAC:
30A, 60A, 100A,
200A, 400A, 600A
- Short Circuit
Current Ratings:
250 & 600VAC
w/class H fuses - 10kA
w/class K fuses - 50kA
w/class R fuses - 200kA

Approvals

- All fuse blocks meet the requirements of UL Std. 512
- UL Listed, Guide IZLT, File E52283
- UL Recognized Component Guide IZLT2, File E52283
- CSA Certified Class 6225, File 32169

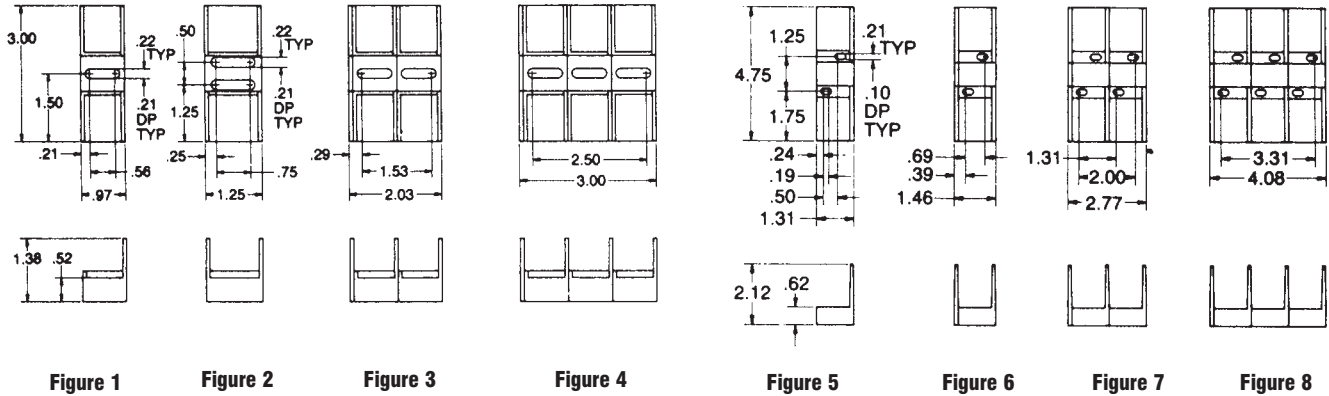


Clip & Connector Types

| 30A & 60A CLIPS | CONNECTORS | CONNECTORS | CONNECTORS | CONNECTORS |
|----------------------------------------------------------------------------------------------------------------|--------------------------------------------------------------------------------------------------------------------------|----------------------------------------------------------------------------------------------------------------------|-------------------------------------------------------------------------------------------------------------------|--------------------------------------------------------------------------------------------------------------------------------|
| SPRING REINFORCED: CLASS R  | NON-SPRING REINFORCED: 30A & 60A BOX  | SPRING REINFORCED: 30A & 60A BOX  | SPRING REINFORCED: 100A BOX  | SPRING REINFORCED: 400A BOX IN-LINE CLIP  |
| CLASS H & K  | 30A SCREW  | 30A SCREW (R)  | 200A BOX SIDE-CLIP  | 600A BOX IN-LINE CLIP  |
| NON-SPRING REINFORCED  | 30A PRESSURE PLATE  | 30A PRESSURE PLATE  | 400A BOX SIDE-CLIP  | |

CLASS H, K & R

250 VOLT/FUSE BLOCKS



Recommended mounting screws for all 30A and 60A fuse blocks: #10 (.190" dia.)

250 Volt, 30 & 60 Ampere Class H, K and R Fuse Blocks

| AMPERE RATING | POLES | CONNECTOR | | CATALOG NUMBER | | | FIG. | CONNECTOR TORQUE In - lb |
|-------------------------|----------------------|-------------------|----------------|-----------------------------------------|-------------------------------------|---------------------------------|------|-----------------------------|
| | | | | TYPE OF CLIP | | | | |
| | | TYPE | WIRE RANGE | CLASS H & K NON-SPRING REINFORCED | CLASS H & K SPRING REINFORCED | CLASS R SPRING REINFORCED | | |
| 30 GFPC INSULATOR | ADDER 1 2 3 | BOX | Al/Cu #2-14 | 20300 | 20305 | 20305R | 1 | 35 |
| | | | | 20301* | 20306* | 20306R* | 2 | |
| | | | | 20302 | 20307 | 20307R | 3 | |
| | | | | 20303 | 20308 | 20308R | 4 | |
| | ADDER 1 2 3 | SCREW | Cu #10-14 | 20310 | 20315 | 20315R | 1 | 20 |
| | | | | 20311* | 20316* | 20316R* | 2 | |
| | | | | 20312 | 20317 | 20317R | 3 | |
| | | | | 20313 | 20318 | 20318R | 4 | |
| | ADDER 1 2 3 | PRESSURE PLATE | Cu #10-14 | 20320 | 20325 | 20325R | 1 | 20 |
| | | | | 20321* | 20326* | 20326R* | 2 | |
| | | | | 20322 | 20327 | 20327R | 3 | |
| | | | | 20323 | 20328 | 20328R | 4 | |
| ADDER 1 2 3 | BOX | Cu** #4-14 | - | 20355 | 20355R | 1 | 35 | |
| | | | - | 20356* | 20356R* | 2 | | |
| | | | - | 20357 | 20357R | 3 | | |
| | | | - | 20358 | 20358R | 4 | | |
| 60 GFPC INSULATOR | ADDER 1 2 3 | BOX | Al/Cu #2-14 | 20600 | 20605 | 20605R | 5 | 45 |
| | | | | 20601 | 20606 | 20606R | 6 | |
| | | | | 20602 | 20607 | 20607R | 7 | |
| | | | | 20603 | 20608 | 20608R | 8 | |
| | ADDER 1 2 3 | BOX | Cu** #4-14 | - | 20655 | 20655R | 5 | 45 |
| | | | | - | 20656 | 20656R | 6 | |
| | | | | - | 20657 | 20657R | 7 | |
| | | | | - | 20658 | 20658R | 8 | |

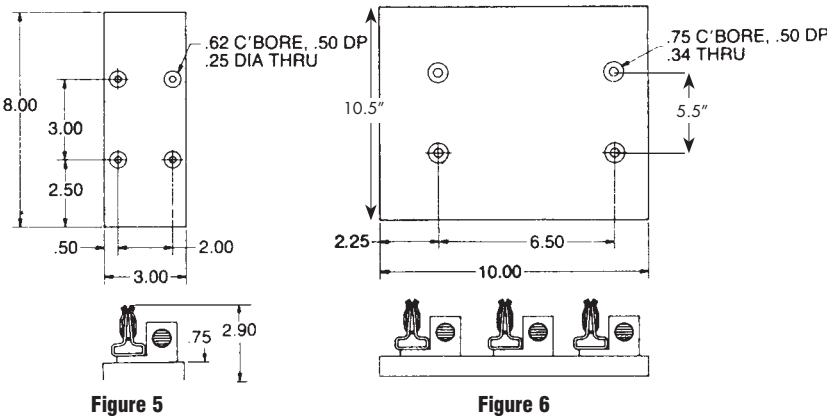
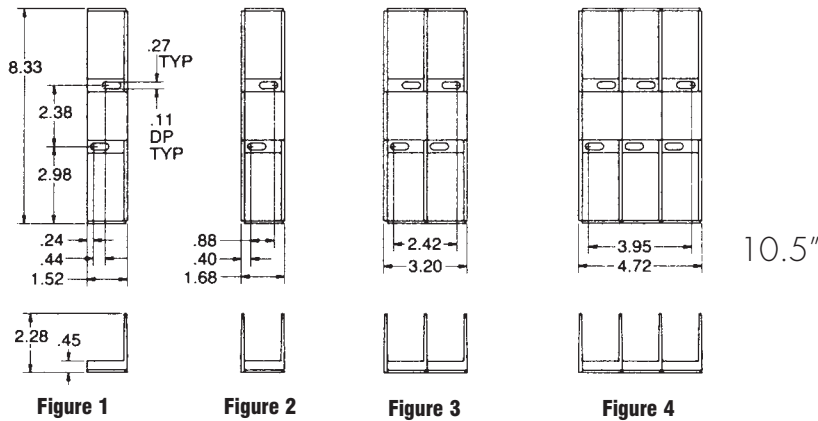
Note: To convert 30A adder pole to single pole, use end barrier #U09322. To convert 60A adder pole to single pole, use end barrier #U09365.

* 1-pole, 30A block does not accept adder pole.

** Fuse blocks have copper box connectors and clips and are for copper wires only. These are specifically designed with the same coefficient of expansion as copper wire for improved heat cycling and meet or exceed OEM "no aluminum" specifications.

CLASS H, K & R

250 VOLT/FUSE BLOCKS



Recommended mounting screws:
 All 100A-1/4" (.250" dia.)
 200A, 1-pole - #10 (.190" dia.)
 200A, 3-pole - 5/16" (.313" dia.)



250

| AMPERE RATING | POLES | CONNECTOR | | CATALOG NUMBER | | FIG. | CONNECTOR TORQUE In - lb |
|------------------------|----------------------|------------------|----------------------|-------------------------------|---------------------------|------|--------------------------|
| | | | | TYPE OF CLIP | | | |
| | | TYPE | WIRE RANGE | CLASS H & K SPRING REINFORCED | CLASS R SPRING REINFORCED | | |
| 100 GFPC INSULATOR | ADDER 1 2 3 | BOX | AL/Cu 2/0-#6 | 21035 | 21035R | 1 | 120 |
| | | | | 21036 | 21036R | 2 | |
| | | | | 21037 | 21037R | 3 | |
| | | | | 21038 | 21038R | 4 | |
| | ADDER 1 2 3 | BOX | Cu* 2/0-#12 | 21005 | 21005R | 1 | 50 |
| | | | | 21006 | 21006R | 2 | |
| | | | | 21007 | 21007R | 3 | |
| | | | | 21008 | 21008R | 4 | |
| 200 PHENOLIC INSULATOR | 1 3 | BOX SIDE-CLIP | AL/Cu 350kcmil-#6 | 22001 | 22001R | 5 | 375 |
| | | | | 22003 | 22003R | 6 | |
| | 1 3 | BOX SIDE-CLIP | Cu* 350kcmil-#6 | 22051 | 22051R | 5 | 275 |
| | | | | 22053 | 22053R | 6 | |

Note: To convert 100A adder pole to single pole, use end barrier #U09363.

* Fuse blocks have copper box connectors and clips and are for copper wires only. These are specifically designed with the same coefficient of expansion as copper wire for improved heat cycling and meet or exceed OEM "no aluminum" specifications.

CLASS H, K & R

250 VOLT/FUSE BLOCKS

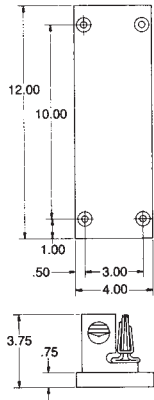


Figure 1

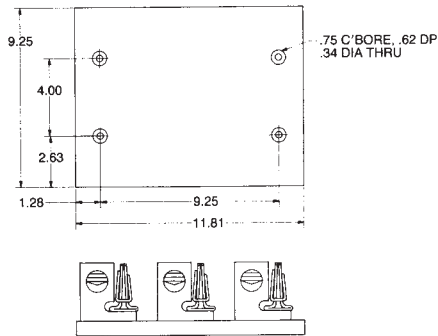


Figure 2

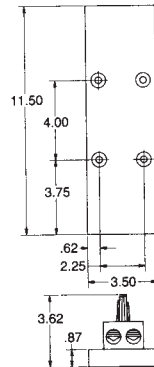


Figure 3

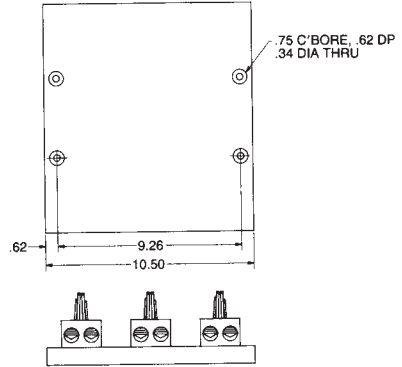


Figure 4

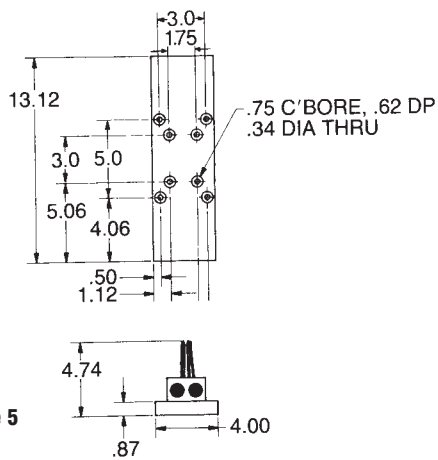


Figure 5

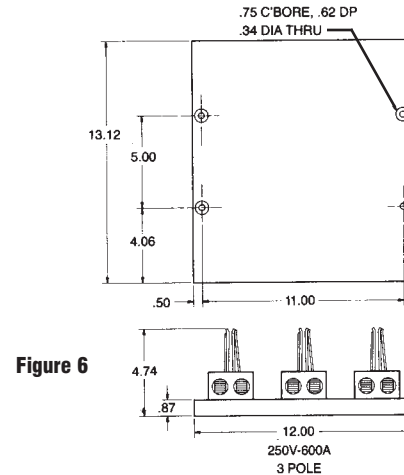


Figure 6

250 Volt, 400 & 600 Ampere Class H, K and R Fuse Blocks

| AMPERE RATING | POLES | CONNECTOR | | CATALOG NUMBER | | FIG. | CONNECTOR TORQUE In - lb |
|------------------------|-------|--------------|-----------------|-------------------------------|---------------------------|------|--------------------------|
| | | | | TYPE OF CLIP | | | |
| | | TYPE | WIRE RANGE | CLASS H & K SPRING REINFORCED | CLASS R SPRING REINFORCED | | |
| 400 PHENOLIC INSULATOR | 1 | BOX* | Al/Cu | 24001 | 24001R | 1 | 375 |
| | 3 | SIDE-CLIP | 1000-250kcmil | 24003 | 24003R | 2 | |
| | 1 | BOX* | Cu** | 24051 | 24051R | 1 | 375 |
| | 3 | SIDE-CLIP | 1000-250kcmil | 24053 | 24053R | 2 | |
| 600 PHENOLIC INSULATOR | 1 | BOX | Al/Cu | 24031 | 24031R | 3 | 275 |
| | 3 | IN-LINE CLIP | (2) 350kcmil-#4 | 24033 | 24033R | 4 | |
| | 1 | BOX | Cu** | 24061 | 24061R | 3 | 275 |
| | 3 | IN-LINE CLIP | (2) 350kcmil-#6 | 24063 | 24063R | 4 | |
| 600 PHENOLIC INSULATOR | 1 | BOX | Al/Cu | 2631 | 2631R | 5 | 500 |
| | 3 | IN-LINE CLIP | (2) 500kcmil-#4 | 2633 | 2633R | 6 | |
| 600 PHENOLIC INSULATOR | 1 | BOX | Cu** | 2661 | 2661R | 5 | 375 |
| | 3 | IN-LINE CLIP | (2) 500kcmil-#4 | 2663 | 2663R | 6 | |

Recommended mounting screws for all 400A and 600A fuse blocks: 5/16 (.313" dia.)

* Not UL Listed or CSA Certified

** Fuse blocks have copper box connectors and clips and are for copper wires only. These are specifically designed with the same coefficient of expansion as copper wire for improved heat cycling and meet or exceed OEM "no aluminum" specifications.