

# 228-700 SERIES

## MEDIUM VOLTAGE/FUSE CLIPS



**Cat. No. 228-700-520**  
(Pair at bottom)

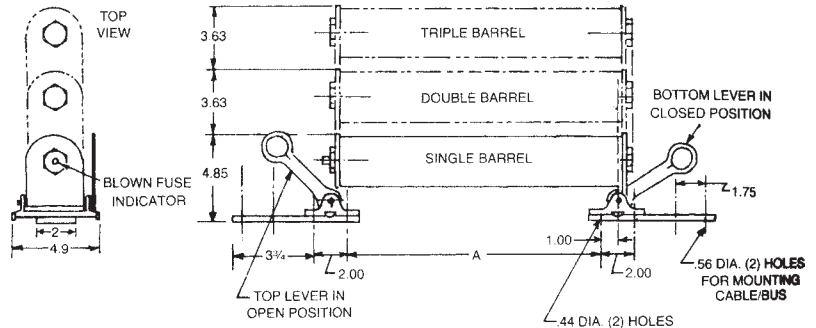
**Cat. No. 228-700-530**  
(Single at top)

### CLIP LOCK DESIGN FOR CL-14 SERIES

The Clip Lock design provides a reliable, high-pressure contact. Ferraz Shawmut CL-14 fuses have copper tabs which slide into position between the clip casting and cam. When the cam is locked by moving the pull ring, a high-pressure contact is made between the clip casting and fuse tab. Each clip includes two .44" diameter counter-sunk holes on 2" centers and two flat head socket screws (3/8-16 UNRC, recommended torque 200 pound-inches) for mounting the clip on standard NEMA insulators. These clips will accommodate 5kV and 15kV CL-14 fuses rated 10E to 600E. Order catalog number 228-700-520 for one pair of fuse clips, enough for one fuse.

CL-14 Fuse Catalog Number	A Dimensions - Inches
A055C1DORO-(10E-150E)	13.25
A055C1DORO-(200E-400E)	19.25
A055C2DORO-(450E-600E)	19.25
A155C1DORO-(10E-50E)	16.25
A155C1DORO-(65E-100E)	19.25
A155C2DORO-(125E)	19.25
A155C3DORO-(150E-300E)	19.25

### Mounting Details for Clip Lock Cat. No. 228-700-520



### CLIPS FOR 3" DIAMETER FERRULE FUSES

These spring-reinforced clips will accommodate all 3" diameter, one and two barrel E-rated and R-rated medium voltage ferrule-type fuses. The clip and reinforcing spring are intended to be bolted to a copper bus bar through two .41" x 1.06" slots. A minimum copper-bus cross section of 1/4" x 1-1/2" is recommended for maximum fuse ratings of 24R and 450E. Catalog number is 228-700-530 for one pair of spring-reinforced clips, enough for one fuse.

### Cat. No. 228-700-530

