

# CC, MSC, CMS

## MODULAR FUSE BASES

### MODULAR FUSE-LINK BASES FOR CARTRIDGE FUSE-LINKS

Ferraz Shawmut CC, MSC and CMS modular fuse bases accommodate industrial cylindrical fuse-links 8 x 31 mm, 10 x 38 mm, 14 x 51 mm and 22 x 58 mm, North American Class CC and Midget (1-1/2" x 13/32") fuses. They have operating handles for non load-break disconnecting and electrical isolation for fuse-link replacement without tools. All contacts are silver-plated. 2, 3 or 4-pole units can be made up with assembly pins and operating handle ties.



### CC Series

- **4 Size Ranges:**
  - CC.8** accepts 8 x 31mm fuse-links
  - CC.10** accepts Class CC, Midget and 10 x 38mm fuse-links
  - CC.14** accepts 30A/250V Class H/K/R & 14 x 51mm fuse-links
  - CC.22** accepts 22 x 58mm fuse-links
- Screw mount or symmetrical DIN rail mount (with adaptor)
- Steel bail handle tie
- Thermoplastic base



### MSC Series

- **2 Size Ranges:**
  - MSC.8** accepts 8 x 31mm fuse-links
  - MSC.10** accepts Class CC, Midget and 10 x 38mm fuse-links
- Symmetrical DIN rail mount
- Optional neutral incorporated
- Optional indicator light in 1-pole unit shows open fuse when lit
- Steel pin handle tie
- Thermoplastic base

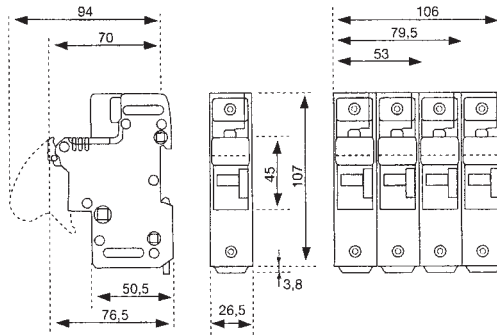


### CMS Series

- **2 Size Ranges:**
  - CMS.14** accepts 30A/250V Class H/K/R & 14 X 51mm fuse-links
  - CMS.22** accepts 22 x 58mm fuse-links
- Optional neutral incorporated
- Optional indicator light shows open fuse when lit
- Optional microswitch on 1-pole & 3-pole
- Thermoplastic base

# CMS.14

## MODULAR FUSE BASES



- Indicator for fuse melts and/or stricker (120/690V)
- Clip for rail mounting in two positions
- Cable size max. 35 mm<sup>2</sup>
- Provision for locking
- IP 20

**CMS 14: Holder for 14x51 Fuse**  
**In max: 50A; Vn max: 690V**

POLES	CATALOG NUMBER				In MAX			Torque	No. of 17.5mm Modules
	Standard	+ indicator	+ Microswitch	Micro + Ind.	400V	500V	690V	Max N-m	
N	29000-G								1,5
1	29002-G								1,5
1+N	29010-G	29004-G	29020-G	29120-G					3
2	29012-G	29013-G	29021-G	29121-G	50A	32A	25A	3.5	3
3	29014-G	29015-G	29024-G	29124-G					4,5
3*			29025-G*	29125-G*					6
3+N	29016-G	29017-G	29026-G	29126-G					6
4	29019-G								6

\*2 microswitches

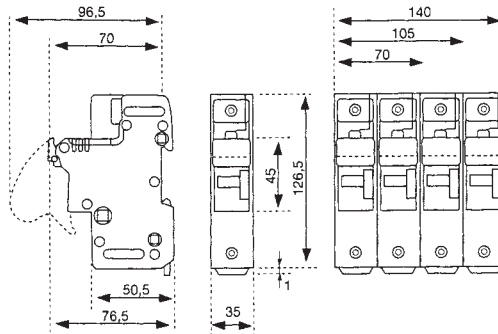
**Accessories(\*\*\*)**

Description	CATALOG NUMBER	No. of 17.5mm Modules
Micro Kit 1P	29051-G	1,5
Micro Block 3P	29052-G	4,5
Block 2 Micro 3P	29053-G	4,5
Fuse holder assembly pins	29050-G	
Lock	29057-G	

(\*\*\*) See technical features for mounting information

# CMS.22

## MODULAR FUSE BASES



- Indicator for fuse melts and/or stricker (120/690V)
- Clip for rail mounting in two positions
- Cable size max. 50 mm<sup>2</sup>
- Provision for locking
- IP 20

**CMS 22: Holder for 22x58 Fuse**  
**In max: 125A; Vn max: 690V**

POLES	CATALOG NUMBER				In MAX			Torque	No. of 17.5mm Modules
	Standard	+ indicator	+ Microswitch	Micro + Ind.	400V	500V	690V	Max N-m	
N	29200-G								1,5
1	29202-G	29204-G	29220-G	29320-G					1,5
1+N	29210-G	29211-G							3
2	29212-G	29213-G	29221-G	29321-G	125A	100A	80A	4.5	3
3	29214-G	29215-G	29224-G	29324-G					4,5
3*			29225-G*	29325-G*					6
3+N	29216-G	29217-G	29226-G	29326-G					6
4	29219-G								6

\*2 microswitches

### Accessories(\*\*\*)

Description	CATALOG NUMBER	No. of 17.5mm Modules
Micro Kit 1P	29251-G	1,5
Micro Block 3P	29252-G	4,5
Block 2 Micro 3P	29253-G	4,5
Fuse holder assembly pins	29250-G	
Lock	29057-G	

(\*\*\*) See technical features for mounting information



# CMS

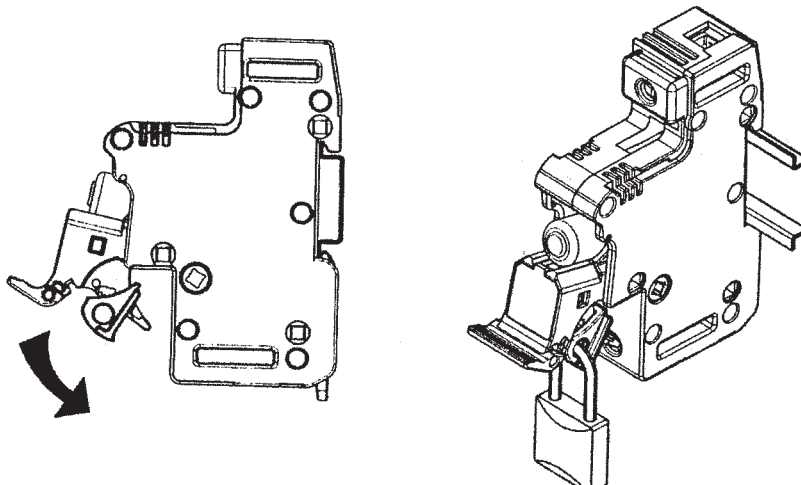
## MODULAR FUSE BASES

Table of electrical characteristics

	Rating Un(V)	Uimp	Fuse Current rating In(A)	Maimum fuse operating current (A)				Recom- mended copper wire size (mm2)	Max Torque N-m			
				gG	aM	gRC	UR					
CMS 14	690	8	0,25	0,25	0,25				3,5			
			0,5									
			1									
			2									
			4									
			6									
			8									
			10							10	10	2,5
			12							12	12	
			16							16	16	
			20							20	20	2,5
			25							25	20	4
			32							32	25	6
40	40	30	6									
50	50	38	10									
CMS 22	690	8	1	↓	1			4				
			2									
			4									
			6									
			8									
			10									
			12									
			16									
			20						20	20	4	
			25						25	25	6	
			32						32	42	10	
			40						40	40	10	
			50						50	50	10	
			63						51	63	16	
			80						64	60	25	
100	100	70	35									
125	100	74	35									

**Lock installation**

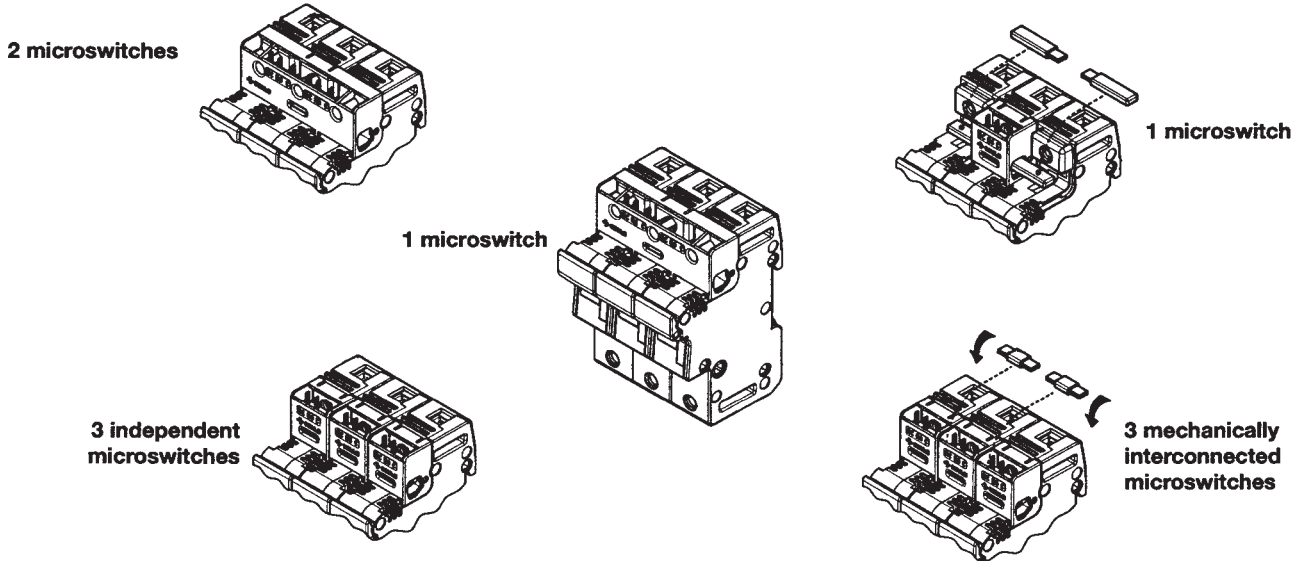
Padlock Catalog Number 29057-G



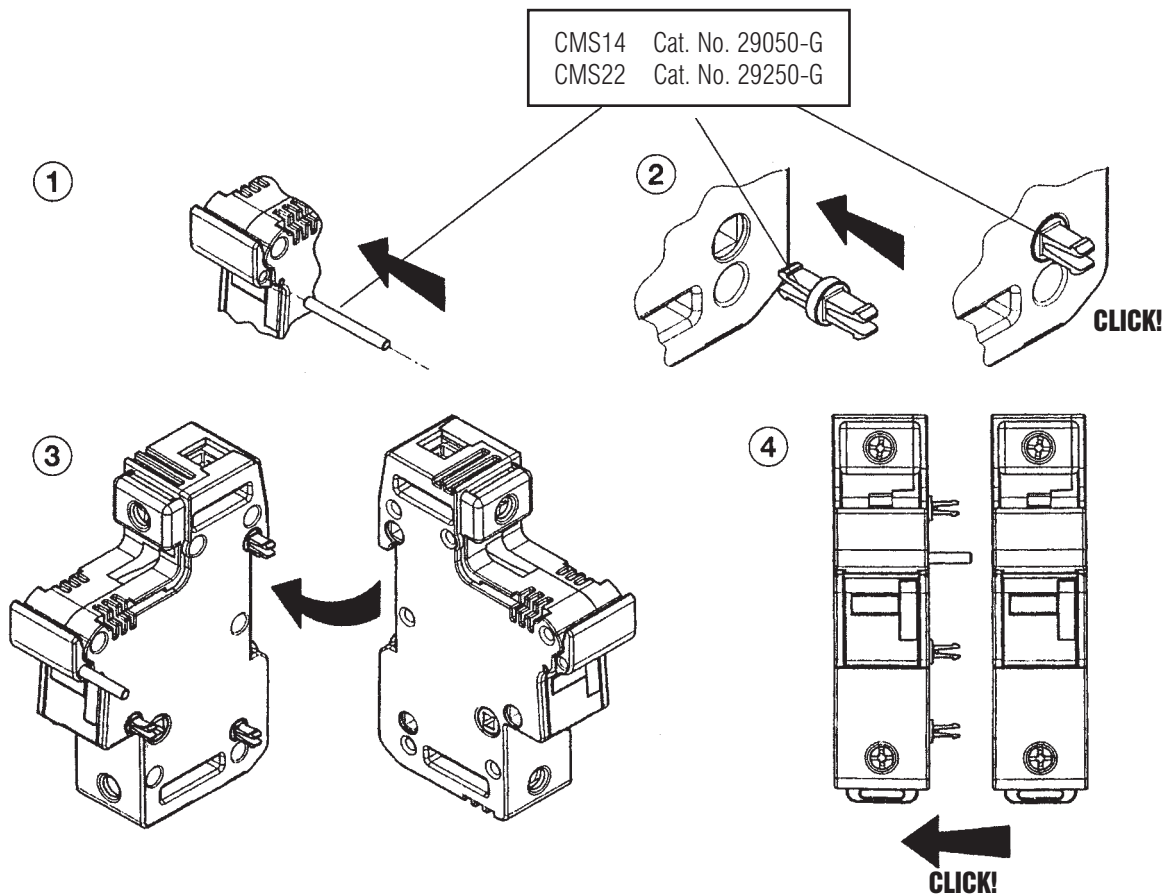
# CMS

## MODULAR FUSE BASES

### Microswitch options



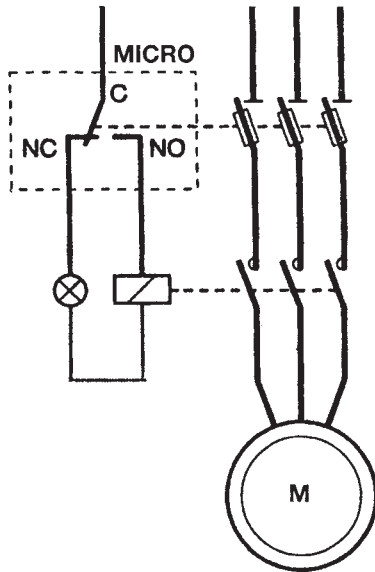
### Fuse holder assembly



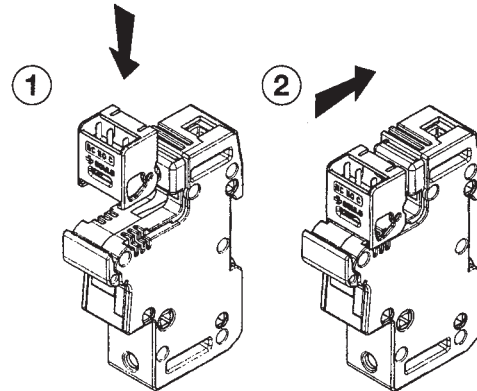
# CMS

## MODULAR FUSE BASES

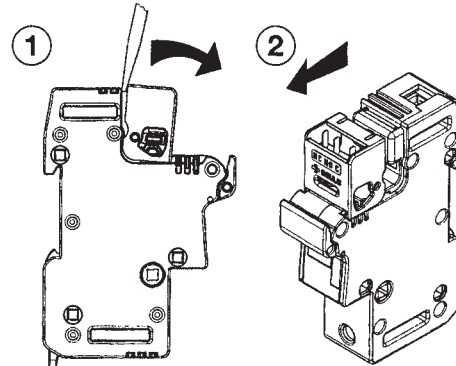
### Microswitch mounting instructions(\*)



#### Assembly



#### Disassembly



### Auxilliary microswitch characteristics

#### (\*) Microswitch functions

<b>Blown fuse:</b>	Fuse holder containing fuse with striker sends message when fuse blown	Nominal current and interrupting rating(1) at 250V	6A 3A 0,3A 0,1A	AC12 AC13 AC14 DC12/13/14
<b>Prebreaking:</b>	When fuse holder opens	Nominal current and interrupting rating(1) at 12 V and 24 V	6A 5A 2A 0,6A	DC12/DC13 AC13 AC14/DC13 DC14
<b>Presence:</b>	Sends message or not depending on fuse presence			

(1) According IEC947-5 Standard