

# ENCLOSED DISCONNECT SWITCHES



Ferraz Shawmut Enclosed Disconnect Switches are designed to meet customer's requirements for compact and durable individual disconnecting means. Both fusible and non-fusible versions are available in a variety of enclosure types resulting in one of the largest available ranges in the industry. The enclosed disconnect switch range offers safety, ease of installation, space savings and operational convenience to end-users.

Ferraz Shawmut features NEMA style, Type 4X non-metallic and stainless steel enclosures that are extremely durable and provide the ultimate protection for harsh environments and conditions. These rugged enclosure types are often used in areas where "wash down" applications are required.

## HIGHLIGHTS:

- Suitable for use as Motor Disconnect
- Meets OSHA lockout/tagout requirements
- NEMA rated enclosures
- Knockouts provided
- Easy screw mounting
- Selector or pistol handles in black or red/yellow
- Clear ON/OFF indication

## APPLICATIONS:

- Load break switching
- Separate disconnect means within sight of all motor loads to comply with NEC® Article 430
- Circuit isolation
- Service entrance ratings available
- Food Processing
- Conveyor Systems
- Harsh Industrial Environments

## Ratings

- Fusible:  
600 VAC: 30 to 800 A
- Non-Fusible:  
600 VAC: 16 to 1200 A

## Approvals

- UL 508A
- UL508
- UL98
- CSA
- IEC versions available



# ENCLOSED DISCONNECT SWITCHES

## NEMA Enclosure Type

3 Pole, 600V 16-125A, Non-Fused, Selector Handle

		1	3R	12	4	4X Stainless	4X Non-Metallic
UL 508	Amp Rating	Catalog No.	Catalog No.	Catalog No.	Catalog No.	Catalog No.	Catalog No.
	16	EALBS163RSO	EFLBS163RSO	ECLBS163RSO	EHLBS163RSO	EBLBS163RSO	EDLBS163RSO
	20	EALBS203RSO	EFLBS203RSO	ECLBS203RSO	EHLBS203RSO	EBLBS203RSO	EDLBS203RSO
	25	EALBS253RSO	EFLBS253RSO	ECLBS253RSO	EHLBS253RSO	EBLBS253RSO	EDLBS253RSO
	30	EALBS303RSO	EFLBS303RSO	ECLBS303RSO	EHLBS303RSO	EBLBS303RSO	EDLBS303RSO
	40	EALBS403RSO	EFLBS403RSO	ECLBS403RSO	EHLBS403RSO	EBLBS403RSO	EDLBS403RSO
	60	EALBS603RSO	EFLBS603RSO	ECLBS603RSO	EHLBS603RSO	EBLBS603RSO	EDLBS603RSO
	80	EALBS803RSO	EFLBS803RSO	ECLBS803RSO	EHLBS803RSO	EBLBS803RSO	EGLBS803RSO
	100	EALBS1003RSO	EFLBS1003RSO	ECLBS1003RSO	EHLBS1003RSO	EBLBS1003RSO	EGLBS1003RSO
	125	EALBS1253RSO	EFLBS1253RSO	ECLBS1253RSO	EHLBS1253RSO	EBLBS1253RSO	EGLBS1253RSO

## NEMA Enclosure Type

3 Pole, 600V 16-1200A, Non-Fused, Pistol Handle

		1	3R	12	4	4X Stainless	4X Non-Metallic
UL 508	Amp Rating	Catalog No.	Catalog No	Catalog No	Catalog No	Catalog No	Catalog No
	16	EALBS163RP0	EFLBS163RP0	ECLBS163RP0	EHLBS163RP0	EBLBS163RP0	EDLBS163RP0
	20	EALBS203RP0	EFLBS203RP0	ECLBS203RP0	EHLBS203RP0	EBLBS203RP0	EDLBS203RP0
	25	EALBS253RP0	EFLBS253RP0	ECLBS253RP0	EHLBS253RP0	EBLBS253RP0	EDLBS253RP0
	30	EALBS303RP0	EFLBS303RP0	ECLBS303RP0	EHLBS303RP0	EBLBS303RP0	EDLBS303RP0
	40	EALBS403RP0	EFLBS403RP0	ECLBS403RP0	EHLBS403RP0	EBLBS403RP0	EDLBS403RP0
	60	EALBS603RP0	EFLBS603RP0	ECLBS603RP0	EHLBS603RP0	EBLBS603RP0	EDLBS603RP0
	80	EALBS803RSP0	EFLBS803RP0	ECLBS803RP0	EHLBS803RP0	EBLBS803RP0	EGLBS803RP0
	100	EALBS1003RP0	EFLBS1003RP0	ECLBS1003RP0	EHLBS1003RP0	EBLBS1003RP0	EGLBS1003RP0
	125	EALBS1253RP0	EFLBS1253RP0	ECLBS1253RP0	EHLBS1253RP0	EBLBS1253RP0	EGLBS1253RP0
UL 98	30	EASC303RP0	EFSC303RP0	ECSC303RP0	EHSC303RP0	EBSC303RP0	EGSC303RP0
	60	EASC603RP0	EFSC603RP0	ECSC603RP0	EHSC603RP0	EBSC603RP0	EGSC603RP0
	100	EASC1003RP0	EFSC1003RP0	ECSC1003RP0	EHSC1003RP0	EBSC1003RP0	EGSC1003RP0
	200	EASC2003RP0	EFSC2003RP0	ECSC2003RP0	EHSC2003RP0	EBSC2003RP0	EGSC2003RP0
	400	EASC4003RP0	EFSC4003RP0	ECSC4003RP0	EHSC4003RP0	EBSC4003RP0	EGSC4003RP0
	600	EASC6003RP0	EFSC6003RP0	ECSC6003RP0	EHSC6003RP0	EBSC6003RP0	EGSC6003RP0
	800	EASC8003RP0	EFSC8003RP0	ECSC8003RP0	EHSC8003RP0	EBSC8003RP0	EGSC8003RP0
	1000	EASC10003RP0	EFSC10003RP0	ECSC10003RP0	EHSC10003RP0	EBSC10003RP0	EGSC10003RP0
1200	EASC12003RP0	EFSC12003RP0	ECSC12003RP0	EHSC12003RP0	EBSC12003RP0	EGSC12003RP0	

## NEMA Enclosure Type

3 Pole, 600V 30-800A, Fused, Pistol Handle

		1	3R	12	4	4X Stainless	4X Non-Metallic	
UL 98	Amp Rating	Fuse Type	Catalog No.	Catalog No.	Catalog No.	Catalog No.	Catalog No.	
	30, compact	CC	EAFBCC303RP0	EFFBCC303RP0	ECFBCC303RP0	EHFBJC303RP0	EBFBCC303RP0	EGFBCC303RP0
	30, compact	J	EAFBJC303RP0	EFFBJC303RP0	ECFBJC303RP0	EHFBJC303RP0	EBFBJC303RP0	EGFBJC303RP0
	30	CC	EAFBC303RP0	EFFBC303RP0	ECFBC303RP0	EHFBC303RP0	EBFBC303RP0	EGFBC303RP0
	30	J	EAFBJ303RP0	EFFBJ303RP0	ECFBJ303RP0	EHFBJ303RP0	EBFBJ303RP0	EGFBJ303RP0
	60	J	EAFBJ603RP0	EFFBJ603RP0	ECFBJ603RP0	EHFBJ603RP0	EBFBJ603RP0	EGFBJ603RP0
	100	J	EAFBJ1003RP0	EFFBJ1003RP0	ECFBJ1003RP0	EHFBJ1003RP0	EBFBJ1003RP0	EGFBJ1003RP0
	200	J	EAFBJ2003RP0	EFFBJ2003RP0	ECFBJ2003RP0	EHFBJ2003RP0	EBFBJ2003RP0	EGFBJ2003RP0
	400	J	EAFBJ4003RP0	EFFBJ4003RP0	ECFBJ4003RP0	EHFBJ4003RP0	EBFBJ4003RP0	EGFBJ4003RP0
	600	J	EAFBJ6003RP0	EFFBJ6003RP0	ECFBJ6003RP0	EHFBJ6003RP0	EBFBJ6003RP0	EGFBJ6003RP0
800	L	EAFBL8003RP0	EFFBL8003RP0	ECFBL8003RP0	EHFBL8003RP0	EBFBL8003RP0	EGFBL8003RP0	

Notes: Each of the above enclosed switches are provided with a red/yellow handle. Simply replace the "RS" or "RP" with a "BS" or "BP" to receive with a black selector or black pistol handle at no additional cost. The non-metallic enclosures are comprised of "ED" polycarbonate boxes and "EG" polyester fiberglass boxes.



# ENCLOSED DISCONNECT SWITCHES

## Part Numbering Guideline

ED	LBS	30	3	R	S	O	-
Enclosure Type	Switch Type	Amp Rating	Number of Poles	Color of handle: R = Red/yellow B = Black	Type of handle: S = Selector P = Pistol	Auxiliary contacts: See chart below	Other options

## Pre-break, Pre-mounted Auxiliary Contacts

Switch Style		Catalog Suffix		
		1	2	3
Non-fusible, UL508	LBSM, 16 – 25A	N/A	N/A	1 NO + NC
Non-fusible, UL508	LBSR, 30 – 125A	1 NO	1 NC	1 NO + NC
Non-fusible, UL98	Sirco, 30 – 1200A	1 NO	1 NC	1 NO + NC
Fusible, UL98	Fuserbloc, 30 – 800A	1 NO	1 NC	1 NO + NC

Note: The letter "O" suffix is standard in part number and means enclosed switch shipped with no auxiliary contacts. Replacing the letter "O" with a 1, 2 or 3 per above provides the type of auxiliary contact indicated. N/A in the chart above indicates that this particular option is not available for this configuration. Please consult the factory if other auxiliary contact configurations are desired.

## Other Options

Please consult factory for availability and suffix for any other options including:

- Neutral blocks
- Special Request
  - Pilot Lights
  - Pushbuttons
  - 2 or 3 position selector switches

Terminal lugs/shrouding are integral to the following enclosed disconnect switches:

- LBS (16-125A)
- SCV (30-100A)
- FBCC/FBJ (30-60A)

For all other enclosed switches, terminal lugs are available for separate purchase where the number following the TL represents the ampacity of the lug.

Catalog numbers for the lugs appear below:

- TL100      - TL600
- TL200      - TL800
- TL400      - TL1200

For those enclosed disconnects where terminal lugs or customer supplied ring lug connections are made, shrouding for the line side of the switch is always supplied. Load side shrouds are also available for separate purchase with part numbering as follows:

- |            |           |
|------------|-----------|
| Non-Fused  | Fused     |
| - TS200SC  | - TS100FB |
| - TS400SC  | - TS200FB |
| - TS600SC  | - TS400FB |
| - TS1200SC | - TS800FB |

## All enclosed switches are provided with a standard integral ground lug

Box type	Switch type	Ground lug wire size
IP65	16 – 30A	6mm <sup>2</sup> (~#10)
NEMA/UL	16–60A	(2) #4 – #14
NEMA/UL	80 – 125A	(2) 1/0 – #14
NEMA/UL	200 – 400A	(2)600kcmil – #2
NEMA/UL	600A & above	Consult Factory

*IEC Enclosure Type (IP65)	
Amp Rating	Catalog #
16	EELBS163RSO
20	EELBS203RSO
25	EELBS253RSO
30	EELBS303RSO

Note: EDLBS 40A, 60A & 80A use grounding stud

## Enclosure Application Information

Enclosure Type		Intended Use and Description
NEMA	1	Indoor use primarily to provide a degree of protection against contact with the enclosed equipment and against a limited amount of falling dirt.
NEMA	3R	Intended for outdoor use primarily to provide a degree of protection against rain, sleet, and damage from external ice formation.
NEMA	12	Intended for indoor use primarily to provide a degree of protection against circulating dust, falling dirt, and dripping non-corrosive liquids.
NEMA	4	Intended for indoor or outdoor use primarily to provide a degree of protection against windblown dust and rain, splashing water, hose-directed water, and damage from external ice formation.
NEMA	4X	Intended for indoor or outdoor use primarily to provide a degree of protection against corrosion, wind blown dust and rain, splashing water, hose-directed water, and damage from ice formation.
IEC	IP65	Total protection against dust and protected against water jets from any hosed direction.

# ENCLOSED DISCONNECT SWITCHES

Switch Rating	Enclosure Type	H height (in)	W width (in)	D depth (in)	MH mounting height (in)	MW mounting width (in)	Shipping Weight (lbs)	Figure No.
16-25A (LBSM) UL508 Selector Handle	1	6.00	6.00	4.00	6.75	4.00	5.1	2
	3R	6.00	6.00	4.00	7.00	3.00	5.4	1
	12	6.00	6.00	4.00	6.75	4.00	5.1	1
	4	6.00	6.00	4.00	6.75	4.00	5.1	1
	4X Stainless	6.00	6.00	4.00	6.75	4.00	5.1	1
	4X Non-Metallic	7.00	5.03	4.02	6.18	4.21	1.6	2
16-25A (LBSM) UL508 Pistol Handle	IP65	5.20	3.43	2.99	4.69	2.91	0.8	2
	1	5.91	5.91	4.72	5.20	3.35	5.6	2
	3R	8.00	8.00	6.00	9.00	3.00	9.6	1
	12	5.91	5.91	4.72	5.20	3.35	5.6	2
	4	5.91	5.91	4.72	5.20	3.35	5.7	2
	4X Stainless	5.91	5.91	4.72	5.20	3.35	5.8	2
30A (LBSR) UL508 Pistol Handle	4X Non-Metallic	7.00	5.03	5.02	6.18	4.21	2.5	2
	1	6.00	6.00	4.00	6.75	4.00	5.2	2
	3R	6.00	6.00	4.00	7.00	3.00	5.5	1
	12	6.00	6.00	4.00	6.75	4.00	5.2	1
	4	6.00	6.00	4.00	6.75	4.00	5.4	1
	4X Stainless	6.00	6.00	4.00	6.75	4.00	5.2	1
40A (LBSR) UL508 Selector Handle	4X Non-Metallic	7.00	5.03	4.02	6.18	4.21	1.8	2
	1	5.91	5.91	4.72	5.20	3.35	5.7	2
	3R	8.00	8.00	6.00	9.00	3.00	9.7	1
	12	5.91	5.91	4.72	5.20	3.35	5.7	2
	4	5.91	5.91	4.72	5.20	3.35	5.8	2
	4X Stainless	5.91	5.91	4.72	5.20	3.35	5.9	2
40A (LBSR) UL508 Pistol Handle	4X Non-Metallic	7.00	5.03	5.02	6.18	4.21	2.6	2
	1	6.00	6.00	4.00	6.75	4.00	5.2	2
	3R	6.00	6.00	4.00	7.00	3.00	5.5	1
	12	6.00	6.00	4.00	6.75	4.00	5.2	1
	4	6.00	6.00	4.00	6.75	4.00	5.4	1
	4X Stainless	6.00	6.00	4.00	6.75	4.00	5.2	1
60A (LBSR) UL508 Selector Handle	4X Non-Metallic	7.00	5.03	5.02	6.18	4.21	5.9	2
	1	5.91	5.91	4.72	5.20	3.35	5.8	2
	3R	8.00	8.00	6.00	9.00	3.00	9.7	1
	12	5.91	5.91	4.72	5.20	3.35	5.8	2
	4	5.91	5.91	4.72	5.20	3.35	5.8	2
	4X Stainless	5.91	5.91	4.72	5.20	3.35	5.8	2
60A (LBSR) UL508 Pistol Handle	4X Non-Metallic	7.00	5.03	5.02	6.18	4.21	5.9	2
	1	8.00	8.00	6.00	5.00	7.00	9.1	2
	3R	8.00	8.00	6.00	9.00	3.00	9.9	1
	12	8.00	6.00	6.00	8.75	4.00	8.8	1
	4	7.87	5.91	4.72	5.20	3.35	7.3	2
	4X Stainless	7.87	5.91	4.72	5.20	3.35	7.3	2
80A (LBSR) UL508	4X Non-Metallic	7.00	5.03	5.02	6.18	4.21	2.9	2
	1	10.00	8.00	6.00	7.00	7.00	10.6	2
	3R	10.00	8.00	6.00	11.00	3.00	11.1	1
	12	10.00	8.00	6.00	10.75	6.00	12.3	1
	4	10.00	8.00	6.00	10.75	6.00	11.8	1
	4X Stainless	9.84	7.87	5.91	9.13	5.31	9.8	2
100A (LBSR) UL508	4X Non-Metallic	9.30	7.31	4.96	8.74	4.01	6.0	1
	1	10.00	8.00	6.00	7.00	7.00	10.6	2
	3R	10.00	8.00	6.00	11.00	3.00	11.1	1
	12	10.00	8.00	6.00	10.75	6.00	12.3	1
	4	10.00	8.00	6.00	10.75	6.00	11.8	1
	4X Stainless	9.84	7.87	5.91	9.13	5.31	9.8	2

Switch Rating	Enclosure Type	H height (in)	W width (in)	D depth (in)	MH mounting height (in)	MW mounting width (in)	Shipping Weight (lbs)	Figure No.
125A (LBSR) UL508	1	10.00	8.00	6.00	7.00	7.00	10.6	2
	3R	10.00	8.00	6.00	11.00	3.00	11.1	1
	12	10.00	8.00	6.00	10.75	6.00	12.4	1
	4	10.00	8.00	6.00	10.75	6.00	11.9	1
	4X Stainless	9.84	7.87	5.91	9.13	5.31	9.8	2
	4X Non-Metallic	11.31	9.31	5.43	10.75	6.02	7.6	1
30A (SCV) UL98	1	8.00	8.00	6.00	5.00	5.00	9.3	2
	3R	8.00	8.00	6.00	9.00	3.00	10.2	1
	12	7.87	5.91	4.72	5.20	3.35	7.6	1
	4	7.87	5.91	4.72	5.20	3.35	7.6	1
	4X Stainless	9.844	7.87	5.91	9.13	5.31	10.1	2
	4X Non-Metallic	9.30	7.31	4.96	8.74	4.01	6.2	1
60A (SCV) UL98	1	12.00	12.00	6.00	9.00	11.00	16.0	2
	3R	12.00	10.00	6.00	13.00	3.00	17.6	1
	12	12.00	12.00	6.00	12.75	10.00	21.6	1
	4	12.00	12.00	6.00	12.75	10.00	21.9	1
	4X Stainless	11.81	9.84	5.91	11.10	7.28	17.4	2
	4X Non-Metallic	13.30	11.29	7.10	12.75	8.01	12.9	1
100A (SCV) UL98	1	12.00	12.00	6.00	9.00	11.00	16.0	2
	3R	12.00	10.00	6.00	13.00	3.00	17.6	1
	12	12.00	12.00	6.00	12.75	10.00	21.6	1
	4	12.00	12.00	6.00	12.75	10.00	21.9	1
	4X Stainless	12.00	10.00	6.00	12.75	8.00	18.6	1
	4X Non-Metallic	13.30	11.29	7.10	12.75	8.01	12.9	1
200A (SCV) UL98	1	30.00	20.00	8.62	27.50	15.00	68.6	2
	3R	30.00	14.00	8.00	31.00	13.00	88.6	1
	12	30.00	20.00	8.00	28.50	18.50	70.1	2
	4	30.00	20.00	8.00	28.50	18.50	70.1	2
	4X Stainless	30.00	20.00	10.00	28.50	18.50	71.0	1
	4X Non-Metallic	32.87	25.00	11.81	34.72	22.91	59.3	1
400A (SCV) UL98	1							
	3R							
	12							
	4							
	4X Stainless							
	4X Non-Metallic							
600A (SC) UL98	1							
	3R							
	12							
	4							
	4X Stainless							
	4X Non-Metallic							
800A (SC) UL98	1							
	3R							
	12							
	4							
	4X Stainless							
	4X Non-Metallic							
1000A (SC) UL98	1							
	3R							
	12							
	4							
	4X Stainless							
	4X Non-Metallic							
1200A (SC) UL98	1							
	3R							
	12							
	4							
	4X Stainless							
	4X Non-Metallic							

Consult factory for 400A and above ratings since enclosure sizes can vary depending upon wiring method employed.



# FUSED DISCONNECT SWITCHES

Switch Rating	Enclosure Type	H height (in)	W width (in)	D depth (in)	MH mounting height (in)	MW mounting width (in)	Shipping Weight (lbs)	Figure No.
30A (FBCC) Compact UL98	1	8.00	8.00	6.00	5.00	7.00	9.4	2
	3R	8.00	8.00	6.00	9.00	3.00	10.3	1
	12	9.84	7.87	5.91	9.13	5.31	10.8	1
	4	9.84	7.87	5.91	9.13	5.31	10.8	1
	4X Stainless	9.84	7.87	5.91	9.13	5.31	11.3	2
	4X Non-Metallic	11.31	9.31	5.43	10.75	6.02	7.8	1
30A (FBCC) UL98	1	10.00	10.00	6.00	7.00	9.00	13.9	2
	3R	8.00	8.00	6.00	9.00	3.00	12.1	1
	12	10.00	8.00	6.00	10.75	6.00	14.4	1
	4	10.00	8.00	6.00	10.75	6.00	13.9	1
	4X Stainless	11.81	9.84	5.91	11.10	7.28	16.5	1
	4X Non-Metallic	11.31	9.31	6.93	10.75	6.02	9.7	1
30A (FBJ) Compact UL98	1	10.00	10.00	6.00	7.00	9.00	12.4	2
	3R	8.00	8.00	6.00	9.00	3.00	10.6	1
	12	9.84	7.87	5.91	9.13	5.31	11.0	2
	4	10.00	8.00	6.00	10.75	6.00	13.3	1
	4X Stainless	9.84	7.87	5.91	9.13	5.31	11.7	2
	4X Non-Metallic	11.31	9.31	5.43	10.75	6.02	8.2	1
30A (FBJ) UL98	1	12.00	12.00	8.00	9.00	11.00	18.3	2
	3R	12.00	12.00	10.00	13.00	5.00	23.2	1
	12	12.00	10.00	8.00	12.75	8.00	21.9	1
	4	13.78	11.81	7.87	13.07	9.25	22.4	2
	4X Stainless	13.78	11.81	7.87	13.07	9.25	24.3	2
	4X Non-Metallic	15.32	13.30	8.19	14.75	10.00	17.1	1
60A (FBJ) UL98	1	12.00	12.00	8.00	9.00	11.00	18.2	2
	3R	12.00	12.00	10.00	13.00	5.00	23.1	1
	12	12.00	10.00	8.00	12.75	8.00	14.6	1
	4	13.78	11.81	7.87	13.07	9.25	24.2	2
	4X Stainless	13.78	11.81	7.87	13.07	9.25	24.2	2
	4X Non-Metallic	15.32	13.30	8.19	14.75	10.00	17.5	1
100A (FBJ) UL98	1	20.00	16.00	8.62	17.88	11.00	35.2	2
	3R	20.00	20.00	8.00	21.00	13.00	50.3	1
	12	20.00	16.00	8.00	18.50	14.50	35.2	1
	4	20.00	16.00	8.00	18.50	14.50	39.0	2
	4X Stainless	20.00	16.00	8.00	18.50	14.50	38.1	2
	4X Non-Metallic	19.31	17.31	9.58	18.74	12.00	25.6	1
200A (FBJ) UL98	1	30.00	20.00	8.62	27.50	15.00	68.8	2
	3R	30.00	24.00	8.00	31.00	13.00	88.8	1
	12	30.00	20.00	8.00	28.50	18.50	70.3	2
	4	30.00	20.00	8.00	28.50	18.50	70.3	2
	4X Stainless	30.00	20.00	10.00	28.50	18.50	71.2	1
	4X Non-Metallic	32.87	25.00	11.81	34.72	22.91	59.5	1
400A (FBJ) UL98	1							
	3R							
	12							
	4							
	4X Stainless							
	4X Non-Metallic							
600A (FBL) UL98	1							
	3R							
	12							
	4							
	4X Stainless							
	4X Non-Metallic							
800A (FBL) UL98	1							
	3R							
	12							
	4							
	4X Stainless							
	4X Non-Metallic							

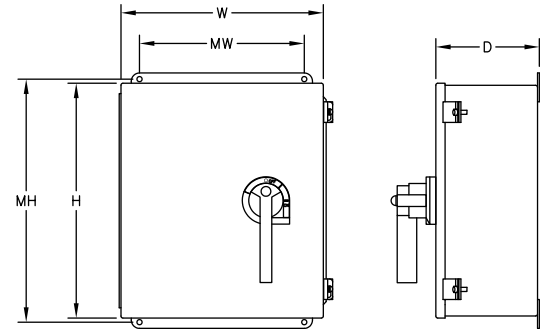


FIGURE 1

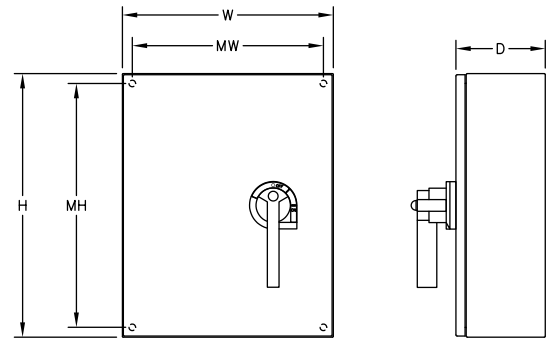


FIGURE 2

**Exterior Mounting - Figure 1**

**Interior Mounting - Figure 2**

Consult factory for 400A and above ratings since enclosure sizes can vary depending upon wiring method employed.