



Finger-Safe Power Distribution Blocks

The next step in
the safety evolution.



Circuit Identifications – Optional marker system allows users to easily ID their circuits.

“Finger-safe” design – Fully covered block ensures that no one can touch it. Recessed termination screws and wire openings provide IP-20 grade protection and qualify as “finger-safe” under IEC standards. Fingers simply can’t touch live parts.

Compact Modularity – Single, two, three or multiple pole configurations in the most compact footprint.

DIN rail mounting – Integral design allows for quick and easy installations on 35mm DIN rail.

Global Acceptance – The FSPDB line is UL, CSA and IEC compliant. CE Marking ensures acceptance throughout the European community.

Mounting Feet – Means for direct panel mounting provides additional flexibility.

Easy panel layout adjustments – Need to make room for another component? Simply release from the DIN rail, reposition and snap on.

Captive Set Screws – Unique channel design ensures the captivity of the wire termination set screws. Screws can never be lost.

SOLUTIONS FOR SAFER PANELS

Building on our revolutionary ULTRASAFE™ fuse holders, we’ve expanded the safety concept to a new line of power distribution blocks — Ferraz Shawmut’s Finger-Safe Power Distribution Blocks (FSPDB). Now the features today’s panel builders demand are available in a “finger-safe” power distribution block offering global acceptance, a compact footprint, and the snap-on simplicity of DIN rail mounting.

With OSHA’s increased scrutiny on safety and the requirements of NFPA 70E, it’s critical to provide safer panels. And the best way to do so is to use all “finger-safe” components. This eliminates the need for more costly methods such as mounting plexiglass sheets to cover the entire panel.

Whether it’s for new designs or retrofits, when panel builders and OEMs think safety, they think Ferraz Shawmut. And no wonder. With “finger-safe” components ranging from our Socomec line for

the incoming main disconnect switch, our popular ULTRASAFE fuse holders, and our new FSPDB line of power distribution blocks, Ferraz Shawmut has a solution for all your panel’s safety needs.

Your global resource.

With products to meet every major global standard and a worldwide sales and service network, Ferraz Shawmut offers a range of solutions unmatched in the industry. Plus technical support from applications specialists and experts on international standards. So whatever and wherever your circuit protection needs may be, there is one company that can meet them all.

Figure 1

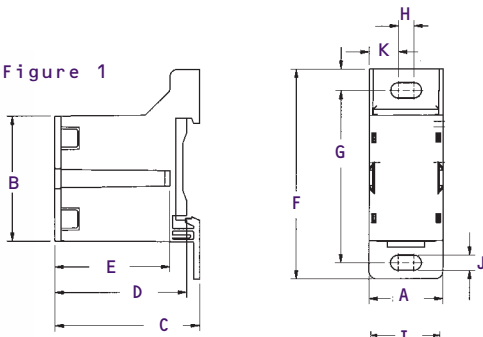
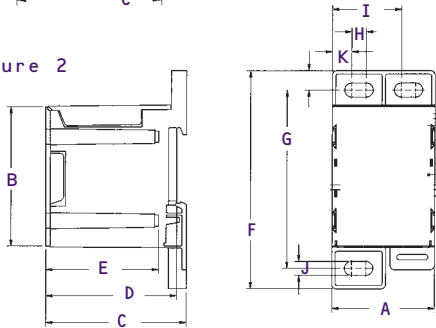


Figure 2



Outline Dimensions

| Dimension | FSPDB1A FSPDB1C Figure 1 | | FSPDB2A FSPDB2C Figure 1 | | FSPDB3A FSPDB3C Figure 2 | | FSPDB4A FSPDB4C Figure 1 | | FSPDB5A FSPDB5C Figure 2 | |
|-----------|--------------------------------|------|--------------------------------|------|--------------------------------|------|--------------------------------|------|--------------------------------|------|
| | mm | in | mm | in | mm | in | mm | in | mm | in |
| A | 25.4 | 1.00 | 28.4 | 1.12 | 46.9 | 1.85 | 39 | 1.54 | 72 | 2.84 |
| B | 43.3 | 1.70 | 57.8 | 2.28 | 64.3 | 2.53 | 108 | 4.25 | 91 | 3.58 |
| C | 49.5 | 1.95 | 56.0 | 2.21 | 64.3 | 2.53 | 80 | 3.15 | 80 | 3.15 |
| D | 45.1 | 1.78 | 51.6 | 2.03 | 59.8 | 2.36 | 75.5 | 2.97 | - | - |
| E | 39.4 | 1.55 | 39.4 | 1.55 | 51.5 | 2.03 | 50.1 | 1.97 | 50.1 | 1.97 |
| F | 72.6 | 2.86 | 87.7 | 3.45 | 100.8 | 3.97 | 145.5 | 5.73 | 145 | 5.71 |
| G | 59.6 | 2.35 | 74.6 | 2.94 | 82.4 | 3.24 | 120.6 | 4.75 | 127.5 | 5.02 |
| H | 5.3 | 0.21 | 5.1 | 0.20 | 6.5 | 0.26 | 7 | 0.28 | 3 | 0.12 |
| I | - | - | - | - | 31.5 | 1.24 | - | - | 52 | 2.04 |
| J | 5.3 | 0.21 | 6.4 | 0.25 | 6.5 | 0.26 | 6.5 | 0.26 | 6.5 | 0.26 |
| K | 10 | 0.40 | 11.7 | 0.46 | 8.9 | 0.35 | 16 | 0.63 | 8.5 | 0.34 |

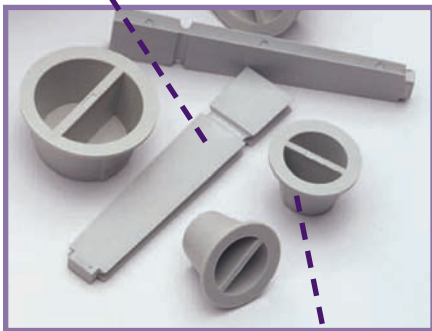
Catalog Nomenclature and Ratings

| Catalog Number | | Ampere Rating (Based on NEC Table 310-16 for 75°C Cu wire) | Line | | | Load | | |
|-------------------------------|-------------------------------|---|-------------------|------------------|----------------------|---------------|-----------------|----------------------|
| Aluminum (90°C Cu/AL wire) | Copper (75°C Cu wire only) | | Wire Range | | Openings per Pole | Wire Range | | Openings per Pole |
| | | | AWG/ kcmil | mm ² | | AWG/ kcmil | mm ² | |
| FSPDB1A | FSPDB1C | 175 | 2/0-#14 | 70-2.5 | 1 | 2/0-#14 | 70-2.5 | 1 |
| FSPDB2A | FSPDB2C | 175 | 2/0-#14 | 70-2.5 | 1 | #2-#14 | 35-2.5 | 4 |
| FSPDB3A | FSPDB3C | 310 | 350-#6 2/0-#14 | 185-16 70-2.5 | 1 | #2-#14 | 35-2.5 | 8 |
| FSPDB4A | FSPDB4C | 335 | 400-#6 | 185-16 | 1 | 400-#6 | 185-16 | 1 |
| FSPDB5A | FSPDB5C | 840 | 600-#4 | 300-25 | 2 | 600-#4 | 300-25 | 2 |

Agency Approvals –

UL Recognized
Component-
File E73571,
Guide XCFR2
CSA Certified-
Class 6228,
File 69363
IEC-947-7-1, 529,
68-2-6, CE Marked

Multiple-Pole Assembly – If desired for panel mounting, simply snap in accessory pin for rigid fit.



Cap Plugs – Convenient accessory provides the ability to maintain touch safety on unused openings.

Accessories

| Catalog No | Description |
|------------|--|
| FSPIN1 | Accessory pin to form multiple pole block |
| FSCIM1 | Circuit identification marker for 2/0 & #2 max. conductors |
| FSCIM2 | Circuit identification marker for 350, 400 & 600 kcmil max. conductors |
| FSCAP1 | Cap plug for spare 2/0 openings |
| FSCAP2 | Cap plug for spare 350 kcmil openings |
| FSEA | Pair of end anchors |

To learn more...

For more information about our new Finger-Safe Power Distribution Block – the next generation in panel safety – visit ferrazshawmut.com, contact your Ferraz Shawmut representative, or call us today at 978-462-6662.





© 2006 Ferraz Shawmut
FSPDB7/06 Q5000