

# FUSERBLOC

## FUSIBLE DISCONNECT SWITCHES



Ferraz Shawmut FUSERBLOC disconnect switches are extremely durable, manually operated, fusible disconnect switches. The switches employ double break contacts per pole that ensure complete isolation of the fuse when the switch is in the OFF position. With safety in mind, all FUSERBLOC switches are supplied with fuse covers and line side shrouding as a standard feature. These switches provide the ultimate in short circuit protection when used with Ferraz Shawmut’s Class CC, J or L fuses.

These heavy-duty switches are designed with the most up-to-date disconnect fuse and switch technology available. Designed to meet the UL98 standard, the FUSERBLOC gives you the product that “makes and breaks” power circuits on load. FUSERBLOC switches are tested and approved for use in the most demanding applications, such as “Service Entrance”. The optional TEST function (up to 400A) enables testing of the control circuit auxiliaries without switching the main contacts. This function provides a simple alternative to a separately wired push button. A wide array of handles are available to meet OSHA padlocking requirements, NEMA configurations, defeater options and NFPA 79 requirements.

### HIGHLIGHTS:

- Double break contacts per pole up to 400 A
- Touch safe fuse covers/line shrouding standard
- Service Entrance Rated
- Compact Footprints
- Front operated switches
- Side operated switches
- Defeatable pistol handles automatically re-latch when panel door is closed - no tool necessary to reset latch
- Test positions available up to 400A
- External or direct operation handles
- Flange operation




### APPLICATIONS:

- Service entrance or main panel disconnects up to 600VAC, 800A
- “Make and Break” power circuit applications on load
- Fusible isolation switches
- NFPA 79 Solutions

### Ratings

- 600 VAC, 250VDC
- 30, 60, 100, 400, 600, and 800 amperes
- up to 200kA Short Circuit Rating with Class CC, J, or L Fuses

### Approvals

- All FUSERBLOC switches meet the requirements of UL98
- UL Listed Guide WHTY, File E191605 
- CSA C22.2 # 4 Class 4652 04, File 703166 
- IEC 947-3 CE mark 

### Recommended fuse usage

FBCC ..... use with ATDR\*, ATMR, ATQR  
 FBJ ..... use with AJT, A4J, HSJ  
 FBL ..... use with A4BQ, A4BY, A4BT

\* Recommended for DC applications

# FUSERBLOC

## FRONT OPERATED FUSIBLE DISCONNECT SWITCHES

### FUSERBLOC RANGE: Fusible Disconnect Switches from 30 to 800 Amperes



SELECT A SWITCH

**AMPERE RATING**  
**CATALOG NUMBER: 3 POLE**  
**CATALOG NUMBER: 4 POLE**  
**FUSE CLASS**

	30	30	30	30	60
	FBCC30CDT <sup>(1)</sup>	FBJ30CDT <sup>(1)</sup>	FBCC30	FBJ30	FBJ60
	—	—	FBCC304	FBJ304	FBJ604
	CC	J	CC	J	J

#### EXTERNAL OPERATION



SELECT A HANDLE

NEMA TYPE	IEC TYPE	DEFEATABLE	COLOR	CATALOG NUMBER				
1,3R, 12, 4, 4X	IP65	NO	Black	HMSB	HMSB	—	—	—
1, 3R, 12, 4, 4X	IP65	NO	Red/Yellow	HMSR	HMSR	—	—	—



SELECT A SHAFT

SHAFT LENGTH (inches/mm)	CATALOG NUMBER				
7.9 / 200	SM200-5	SM200-5	—	—	—
12.6 / 320	SM320-5	SM320-5	—	—	—
15.7 / 400	SM400-5	SM400-5	—	—	—

OR OR



SELECT A HANDLE

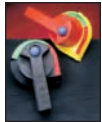
NEMA TYPE	IEC TYPE	DEFEATABLE	COLOR	CATALOG NUMBER				
1,3R, 12	IP54	YES	Black	HDPB	HDPB	—	—	—
1, 3R, 12	IP54	YES	Red/Yellow	H DPR	H DPR	—	—	—
1, 3R, 12	IP54	NO	Black	HDPBND	HDPBND	—	—	—
1, 3R, 12	IP54	NO	Red/Yellow	H DPRND	H DPRND	—	—	—



SELECT A SHAFT

SHAFT LENGTH (inches/mm)	CATALOG NUMBER				
7.9/200	SD200-5	SD200-5	—	—	—
12.6/320	SD320-5	SD320-5	—	—	—
15.7/400	SD400-5	SD400-5	—	—	—
19.7/500	SD500-5	SD500-5	—	—	—

OR OR



SELECT A HANDLE

NEMA TYPE	IEC TYPE	DEFEATABLE	COLOR	CATALOG NUMBER				
1,3R, 12	IP54	YES	Black	HGPB	HGPB	HGPB	HGPBL	HGPBL
1, 3R, 12	IP54	YES	Red/Yellow	HGPR	HGPR	HGPR	HGPRL	HGPRL
1, 3R, 12, 4, 4X	IP65	YES	Black	HGPB4	HGPB4	HGPB4	HGPB4L	HGPB4L
1, 3R, 12, 4, 4X	IP65	YES	Red/Yellow	HGPR4	HGPR4	HGPR4	HGPR4L	HGPR4L



SELECT A SHAFT

SHAFT LENGTH (inches/mm)	CATALOG NUMBER				
7.9/200	SG200-5	SG200-5	SG200-10	SG200-10	SG200-10
12.6/320	SG320-5	SG320-5	SG320-10	SG320-10	SG320-10
15.7/400	SG400-5	SG400-5	SG400-10	SG400-10	SG400-10
19.7/500	SG500-5	SG500-5	SG500-10	SG500-10	SG500-10

#### DIRECT OPERATION



SELECT A HANDLE

COLOR	CATALOG NUMBER		
Black	HADB1	HADB2	This function can be achieved using side operated Fusible Disconnect Switches with direct handle as on page K 30

OPTIONS FOR EXTERNAL FRONT & DIRECT OPERATION		CATALOG NUMBER				
Terminal Lugs Kit	(for 3 and 4 pole fuse switches)	Integral	Integral	Integral	Integral	Integral
Terminal Shrouds	(for 3 and 4 pole fuse switches)	Integral	Integral	Integral	Integral	Integral
Shorting Links Kit	(3 links per Kit)	—	—	—	—	SL60
Auxiliary Contacts	Holder <sup>(2)</sup>	ACHCD	ACHCD	ACH	ACH	ACH
	(1) N/O, 10A, 600VAC snap-on contact block, A600-Q600	AC3	AC3	AC3	AC3	AC3
	(1) N/C, 10A, 600VAC snap-on contact block, A600-Q600	AC4	AC4	AC4	AC4	AC4
	(1) NO+NC side mount contact block, A600-N600	—	—	AC5	AC5	AC5
	(2) NO+NC side mount contact blocks, A600-N600	—	—	AC6	AC6	AC6
NFPA 79 solutions <sup>(4)</sup>	Operation of the switch (special handle)	HADB6	HADB6	HADB8	HADB8	HADB8
Allows to operate & padlock the switch when door is open	Padlocking facility on the switch	Included (in the kit HADB6)	Included (in the kit HADB6)	As standard	As standard	As standard

- (1) Compact Design Fusible Disconnect Switch accommodates up to 4 auxiliary contacts for FBCC30CDT and up to 2 auxiliary contacts for FBJ30CDT on the switch
- (2) ACHCD accommodates up to 4 additional auxiliary contacts for FBCC30CDT and FBJ30CDT  
 ACH accommodates up to 8 additional auxiliary contacts  
 Two AC5 or one AC6 can be side mounted
- (3) See NFPA 79 requirements and our solutions page L 33
- (4) HADB6 requires the use of "G" type handle (IE: HGPB)



# FUSERBLOC

## FRONT OPERATED FUSIBLE DISCONNECT SWITCHES



SELECT A SWITCH

AMPERE RATING	100	200	400	600	800
<b>CATALOG NUMBER: 3 POLE</b>	FBJ100	FBJ200	FBJ400	FBJ600	FBL800
<b>CATALOG NUMBER: 4 POLE</b>	FBJ1004	FBJ2004	FBJ4004	FBJ6004	FBL8004
<b>FUSE CLASS</b>	J	J	J	J	L

### EXTERNAL OPERATION



SELECT A HANDLE

NEMA TYPE	IEC TYPE	DEFEATABLE	COLOR	CATALOG NUMBER				
1,3R, 12	IP54	YES	Black	HGPBL	HGPBL	HGPBL	—	—
1, 3R, 12	IP54	YES	Red/Yellow	HGPRL	HGPRL	HGPRL	—	—
1, 3R, 12, 4, 4X	IP65	YES	Black	HGPB4L	HGPB4L	HGPB4L	HHPB4FB	HHPB4FB
1, 3R, 12, 4, 4X	IP65	YES	Red/Yellow	HGPR4L	HGPR4L	HGPR4L	HHPR4FB	HHPR4FB
1, 3R, 12, 4, 4X	IP65	NO	Black	—	—	—	HHPB4NDFB	HHPB4NDFB
1, 3R, 12, 4, 4X	IP65	NO	Red/Yellow	—	—	—	HHPR4NDFB	HHPR4NDFB



SELECT A SHAFT

SHAFT LENGTH (Inches/mm)	CATALOG NUMBER				
7.9 / 200	SG200-10	SG200-10	SG200-10	SH200-15	SH200-15
12.6 / 320	SG320-10	SG320-10	SG320-10	—	—
15.7 / 400	SG400-10	SG400-10	SG400-10	SH400-15	SH400-15
19.7 / 500	SG500-10	SG500-10	SG500-10	—	—

### DIRECT OPERATION



SELECT A HANDLE

COLOR	CATALOG NUMBER		
Black	This function can be achieved using side operated Fusible Disconnect Switches with direct handle as on page K 30		HADB5 HADB5



#### OPTIONS FOR EXTERNAL FRONT & DIRECT OPERATION

OPTIONS FOR EXTERNAL FRONT & DIRECT OPERATION		CATALOG NUMBER				
Terminal Lugs Kit	(6 lugs per kit - for 3 poles switches) (8 lugs per kit - for 4 poles switches)	TL100 TL1004	TL200 TL2004	TL400 TL4004	TL600 TL6004	TL800 TL8004
3-pole Terminal Shrouds Kit <sup>(1)</sup>	(for line or load side)	TS100FB	TS200FB	—	—	—
4-pole Terminal Shrouds Kit <sup>(1)</sup>	(for line or load side)	TS1004FB	TS2004FB	—	—	—
3-pole Terminal Screen <sup>(1)</sup>		—	—	TS400FB <sup>(2)</sup>	TS800FB <sup>(3)</sup>	TS800FB <sup>(3)</sup>
4-pole Terminal Screen <sup>(1)</sup>		—	—	TS4004FB <sup>(2)</sup>	TS8004FB <sup>(3)</sup>	TS8004FB <sup>(3)</sup>
Shorting Links Kit	(3 links per kit)	SL100	SL200	SL400	SL800	SL800
Auxiliary Contacts	Holder <sup>(4)</sup>	ACH	ACH	ACH	—	—
	(1) N/O, 10A, 600VAC snap-on contact block, A600-Q600	AC3	AC3	AC3	—	—
	(1) N/C, 10A, 600VAC snap-on contact block, A600-Q600	AC4	AC4	AC4	—	—
	(1) NO+NC side mount contact block, A600-N600	AC5	AC5	AC5	—	—
	(2) NO+NC side mount contact blocks, A600-N600	AC6	AC6	AC6	—	—
	(1) NO/NC screw mount contact block	—	—	—	AC9	AC9
	(2) NO/NC screw mount contact blocks	—	—	—	AC10	AC10
NFPA 79 solutions <sup>(5)</sup>	Operation of the switch (special handle)	HADB8	HADB8	HADB8	—	—
Allows to operate & padlock the switch when door is open	Padlocking facility on the switch	As standard	As standard	As standard	SWL01	SWL01

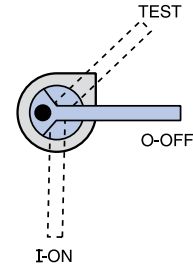
- (1) Line side Shrouding supplied as standard with switch
- (2) As replacement part for line or load side (two terminal screens supplied as standard with switch)
- (3) As replacement part for line side (standard fuse cover also shrouds load side terminals)
- (4) ACH accommodates up to 8 auxiliary contacts  
Two AC5 or one AC6 can be side mounted
- (5) See NFPA 79 requirements and our solutions page L 33

# FUSERBLOC

## FRONT OPERATED FUSIBLE DISCONNECT SWITCHES

### FUSIBLE DISCONNECT SWITCHES INCLUDING TEST FEATURE FOR EXTERNAL FRONT OPERATION ONLY

The TEST facility enables testing of the control circuit auxiliaries without switching the main contacts. This function provides a serious technical and commercial alternative to a separately wired push button.



SELECT A SWITCH

**AMPERE RATING**  
**CATALOG NUMBER: 3 POLE**  
**CATALOG NUMBER: 4 POLE**  
**FUSE CLASS**

30	30	30	30	60
FBCC30CDT <sup>(1)</sup>	FBJ30CDT <sup>(1)</sup>	FBCC30T	FBJ30T	FBJ60T
—	—	FBCC304T	FBJ304T	FBJ604T
CC	J	CC	J	J



SELECT A HANDLE

NEMA TYPE	IEC TYPE	DEFEATABLE	COLOR	CATALOG NUMBER				
1, 3R, 12, 4, 4X	IP65	YES	Black	HGPBT4	HGPBT4	HGPBT4	HGPBT4L	HGPBT4L
1, 3R, 12, 4, 4X	IP65	YES	Red/Yellow	HGPRT4	HGPRT4	HGPRT4	HGPRT4L	HGPRT4L



SELECT A SHAFT

SHAFT LENGTH (inches/mm)	CATALOG NUMBER				
7.9 / 200	SG200-5	SG200-5	SG200-10	SG200-10	SG200-10
12.6 / 320	SG320-5	SG320-5	SG320-10	SG320-10	SG320-10
15.7 / 400	SG400-5	SG400-5	SG400-10	SG400-10	SG400-10
19.7/500	SG500-5	SG500-5	SG500-10	SG500-10	SG500-10

OPTIONS		CATALOG NUMBER				
Terminal Lugs Kit	(for 3 and 4 pole fuse switches)	Integral	Integral	Integral	Integral	Integral
Terminal Shrouds	(for 3 and 4 pole fuse switches)	Integral	Integral	Integral	Integral	Integral
Shorting Links Kit	(3 links per Kit)	—	—	—	—	—
Auxiliary Contacts	Holder <sup>(2)</sup>	ACHCD	ACHCD	ACH	ACH	ACH
	(1) N/O, 10A, 600VAC snap-on contact block, A600-Q600	AC3	AC3	AC3	AC3	AC3
	(1) N/C, 10A, 600VAC snap-on contact block, A600-Q600	AC4	AC4	AC4	AC4	AC4
	(1) NO+NC side mount contact block, A600-N600	—	—	AC7	AC7	AC7
	(2) NO+NC side mount contact blocks, A600-N600	—	—	AC8	AC8	AC8



SELECT A SWITCH

**AMPERE RATING**  
**CATALOG NUMBER: 3 POLE**  
**CATALOG NUMBER: 4 POLE**  
**FUSE CLASS**

100	200	400	—	—
FBJ100T	FBJ200T	FBJ400T	—	—
FBJ1004T	FBJ2004T	FBJ4004T	—	—
J	J	J	—	—



SELECT A HANDLE

NEMA TYPE	IEC TYPE	DEFEATABLE	COLOR	CATALOG NUMBER				
1, 3R, 12, 4, 4X	IP65	YES	Black	HGPBT4L	HGPBT4L	HGPBT4L	—	—
1, 3R, 12, 4, 4X	IP65	YES	Red/Yellow	HGPRT4L	HGPRT4L	HGPRT4L	—	—



SELECT A SHAFT

SHAFT LENGTH (inches/mm)	CATALOG NUMBER				
7.9 / 200	SG200-10	SG200-10	SG200-10	—	—
12.6 / 320	SG320-10	SG320-10	SG320-10	—	—
15.7/400	SG400-10	SG400-10	SG400-10	—	—
19.7/500	SG500-10	SG500-10	SG500-10	—	—

OPTIONS		CATALOG NUMBER				
Terminal Lugs Kit	(6 lugs per kit - for 3 pole fuse switches) (8 lugs per kit - for 4 pole fuse switches)	TL100	TL200	TL400	—	—
3-pole Terminal Shrouds Kit <sup>(3)</sup>	(for line or load side)	TL1004	TL2004	TL4004	—	—
4-pole Terminal Shrouds Kit <sup>(3)</sup>	(for line or load side)	TS100FB	TS200FB	—	—	—
3-pole Terminal Screen	(for line or load side)	TS1004FB	TS2004FB	—	—	—
4-pole Terminal Screen	(for line or load side)	—	—	TS400FB <sup>(4)</sup>	—	—
Shorting Links Kit	(3 links per kit)	—	—	TS4004FB <sup>(4)</sup>	—	—
Auxiliary Contacts	Holder <sup>(2)</sup>	SL100	SL200	SL400	—	—
	(1) N/O, 10A, 600VAC snap-on contact block, A600-Q600	ACH	ACH	ACH	—	—
	(1) N/C, 10A, 600VAC snap-on contact block, A600-Q600	AC3	AC3	AC3	—	—
	(1) NO+NC side mount contact block, A600-N600	AC4	AC4	AC4	—	—
	(2) NO+NC side mount contact blocks, A600-N600	AC7	AC7	AC7	—	—
		AC8	AC8	AC8	—	—

(1) Compact Design fusible disconnect switch accommodates up to 4 auxiliary contacts for FBCC30CDT and up to 2 auxiliary contacts for FBJ30CDT on the switch  
 (2) ACHCD accommodates up to 4 additional auxiliary contacts for FBCC30CDT and FBJ30CDT, ACH accommodates up to 8 additional auxiliary contacts, Two AC7 or one AC8 can be side mounted  
 (3) Line side Shrouding supplied as standard with switch  
 (4) As replacement part for line or load side (two terminal screens supplied as standard with switch)



# FUSERBLOC

## SIDE OPERATED FUSIBLE DISCONNECT SWITCHES

### FUSERBLOC RANGE: Side operated Fusible Disconnect Switches from 30 to 400 A



SELECT A SWITCH

AMPERE RATING	30	30	60
CATALOG NUMBER: 3 POLE	FBCC30SO	FBJ30SO	FBJ60SO
CATALOG NUMBER: 4 POLE	FBCC304SO	FBJ304SO	FBJ604SO
FUSE CLASS	CC	J	J

#### FLANGE OPERATED HANDLE (Square D type - class 9422)



SELECT A HANDLE

NEMA TYPE	IEC TYPE	DEFEATABLE	PADLOCKABLE	CATALOG NUMBER (1)		
1, 3, 3R, 4, 12	IP54	YES	YES	HAF1(2)	HAF1(2)	HAF1(2)
4, 4X	IP65	YES	YES	HAF2(3)	HAF2(3)	HAF2(3)



SELECT A CABLE

CABLE LENGTH (inches/mm)	CATALOG NUMBER		
36 / 914.4	H AFC36	H AFC36	H AFC36
60 / 1524	H AFC60	H AFC60	H AFC60
120 / 3048	H AFC120	H AFC120	H AFC120

#### DIRECT OPERATION



SELECT A HANDLE

PADLOCKABLE	COLOR	CATALOG NUMBER		
YES	Black	HADB3	HADB4	HADB4

OPTIONS FOR FLANGE & DIRECT OPERATION HANDLE FROM 30 TO 60 A		CATALOG NUMBER		
Terminal Lugs Kit	For 3 and 4 pole fuse switches	Integral	Integral	Integral
Terminal Shrouds	For 3 and 4 pole fuse switches	Integral	Integral	Integral
Shorting Links Kit	(3 links per kit - for 3 pole fuse switches)	—	—	SL60
Auxiliary Contacts(4)	(1) NO + NC side mount contact block, A600-N600	AC5	AC5	AC5
	(2) NO + NC side mount contact blocks, A600-N600	AC6	AC6	AC6



SELECT A SWITCH

AMPERE RATING	100	200	400
CATALOG NUMBER: 3 POLE	FBJ100SO	FBJ200SO	FBJ400SO
CATALOG NUMBER: 4 POLE	FBJ1004SO	FBJ2004SO	FBJ4004SO
FUSE CLASS	J	J	J

#### FLANGE OPERATED HANDLE



SELECT A HANDLE

NEMA TYPE	IEC TYPE	DEFEATABLE	PADLOCKABLE	CATALOG NUMBER (1)		
1, 3, 3R, 4, 12	IP54	YES	YES	HAF1(2)	HAF1(2)	HAF1(2)
4, 4X	IP65	YES	YES	HAF2(3)	HAF2(3)	HAF2(3)



SELECT A CABLE

CABLE LENGTH (inches/mm)	CATALOG NUMBER		
36 / 914.4	H AFC36	H AFC36	H AFC36
60 / 1524	H AFC60	H AFC60	H AFC60
120 / 3048	H AFC120	H AFC120	H AFC120

#### DIRECT OPERATION



SELECT A HANDLE

PADLOCKABLE	COLOR	CATALOG NUMBER		
YES	Black	HADB4	HADB4	HADB4



OPTIONS FOR FLANGE & DIRECT OPERATION HANDLE FROM 100 TO 400 A		CATALOG NUMBER		
Terminal Lugs Kit	(6 lugs per kit - for 3 pole fuse switches) (8 lugs per kit - for 4 pole fuse switches)	TL100 TL1004	TL200 TL2004	TL400 TL4004
3-pole Terminal Shrouds Kit(5)	(for line or load side)	TS100FB	TS200FB	—
4-pole Terminal Shrouds Kit(5)	(for line or load side)	TS1004FB	TS2004FB	—
3-pole Terminal Screen	(for line or load side)	—	—	TS400FB(6)
4-pole Terminal Screen	(for line or load side)	—	—	TS4004FB(6)
Shorting Links Kit	(3 links per kit - for 3 pole fuse switches)	SL100	SL200	SL400
Auxiliary Contacts(4)	(1) NO+NC side mount contact block, A600-N600	AC5	AC5	AC5
	(2) NO+NC side mount contact blocks, A600-N600	AC6	AC6	AC6

(1) Flange handle includes the flange operator and the coupling mechanism to connect switch and cable together  
 (2) All external metal parts are sheet steel - (3) All external metal parts are either stainless steel or a chrome-plated non-ferrous die casting  
 (4) Two AC5 or one AC6 can be side mounted  
 (5) Line side Shrouding supplied as standard with switch  
 (6) As replacement part (two terminal screens supplied as standard with switch)  
 Note: Side-external handle and shaft available, consult with factory.

# FUSERBLOC FUSIBLE DISCONNECT SWITCHES FROM 30 TO 800 A

## UL, cUL AND CSA TECHNICAL CHARACTERISTICS FOR FRONT & SIDE OPERATION

Catalog number		FBCC30CDT	FBJ30CDT	FBCC30 / FBCC304 FBCC30T / FBCC304T FBCC30SO / FBCC304SO	FBJ30 / FBJ304 FBJ30T / FBJ304T FBJ30SO / FBJ304SO
<b>Rating</b>		<b>30</b>	<b>30</b>	<b>30</b>	<b>30</b>
<b>Fuse type</b>	<b>A</b>	<b>CC</b>	<b>J</b>	<b>CC</b>	<b>J</b>
Operating voltage	V	600	600	600	600
<b>Max horsepower rating/ Max motor FLA current</b>					
<b>Three phase</b>					
208 V		5/17.5	5/17.5	5/17.5	5/17.5
240 V		7.5/22	7.5/22	7.5/22	7.5/22
480 V		15/21	15/21	15/21	15/21
600 V		20/22	20/22	20/22	20/22
DC 125 V } 2 poles in series		3/25	3/25	3/25	3/25
DC 250 V } except (1)		5/20	5/20	5/20	5/20
Short circuit rating with fuses	kA	65	65	100	200
Branch circuit fuse type		CC	J	CC	J
Max fuse rating (A)		30	30	30	30
Dimension 3 pole (front operated switches)	H in	4.56	4.56	5.87	5.87
	W in	3.78	4.13	5.63	6.72
	D in	3.28	3.89	3.89	5.62
Shaft size square (front operated switches)	in	0.2 x 0.2	0.2 x 0.2	0.4 x 0.4	0.4 x 0.4
	mm	5 x 5	5 x 5	10 x 10	10 x 10
3-pole switch operating torque (front operation)	lb. in.	21	21	53	88
Terminal lugs kit (# of lugs per kit)		Integral	Integral	Integral	Integral
Wire range AWG (# of wire holes per lug)		#10-#14 (1)	#10-#14 (1)	#10-#14 (1)	#3-#10 (1)
Wire tightening torque	lb. in.	27	27	48	58

Catalog number		FBCC30CDT	FBJ30CDT	FBCC30 / FBCC304 FBCC30T / FBCC304T FBCC30SO / FBCC304SO	FBJ30 / FBJ304 FBJ30T / FBJ304T FBJ30SO / FBJ304SO
<b>Rating</b>	<b>A</b>	<b>32 CD</b>	<b>32 CD</b>	<b>32</b>	<b>32</b>
Rated Insulation voltage Ui (V)	V	800	800	750	750
Rated impulse voltage (Uimp)		8 kV	8 kV	8 kV	8 kV
Operating current Ie (A)					
400 V AC	AC 22A	32	32	32	32
	AC 23A	32	32	32	32
690 V AC	AC 22A	32	32	32	32
	AC 23A	32	32	32	32
<b>Motor Power (kW)</b>					
400 V AC	AC 23A	15	15	15	15
500 V AC	AC 23A	18.5	18.5	18.5	18.5
690 V AC	AC 23A	25	25	25	25
Max. peak let through current (gG)	kA peak	5.5	5.5	7.6	17.6
<b>Connection</b>					
Minimum Cu cable section	mm <sup>2</sup>	6	6	6	6
Minimum CU busbar section	mm <sup>2</sup>	—	—	—	—



# FUSERBLOC FUSIBLE DISCONNECT SWITCHES FROM 30 TO 800 A

## UL, cUL AND CSA TECHNICAL CHARACTERISTICS FOR FRONT & SIDE OPERATION

Catalog number	FBJ60 / FBJ604 FBJ60T / FBJ604T FBJ60SO / FBJ604SO	FBJ100 / FBJ1004 FBJ100T / FBJ1004T FBJ100SO / FBJ1004SO	FBJ200 / FBJ2004 FBJ200T / FBJ2004T FBJ200SO / FBJ2004SO	FBJ400 / FBJ4004 FBJ400T / FBJ4004T FBJ400SO / FBJ4004SO	FBJ600 / FBJ6004	FBL800 / FBL8004
<b>Rating</b>	<b>60</b>	<b>100</b>	<b>200</b>	<b>400</b>	<b>600</b>	<b>800</b>
<b>Fuse type</b>	<b>J</b>	<b>J</b>	<b>J</b>	<b>J</b>	<b>J</b>	<b>L</b>
Operating voltage	600	600	600	600	600	600
<b>Max horsepower rating/ Max motor FLA current</b>						
<b>Three phase</b>						
208 V	15/48.5	25/78.5	50/150	100/286	150/415	200/554
240 V	15/42	30/80	60/154	125/312	250/602	250/602
480 V	30/40	60/77	125/156	250/302	500/590	500/590
600 V	50/52	75/77	150/144	350/336	500/472	500/472
DC 125 V } 2 poles in series	3/25	7.5/58	15/112	20/148	—	—
DC 250 V } except (1)	10/38	20/38	40/140(1)	50/173(1)	—	—
Short circuit rating with fuses	200	200	200	200	200	200
Branch circuit fuse type	J	J	J	J	J	L
Max fuse rating (A)	60	100	200	400	600	800
Dimension 3 pole (front operated switches)	5.87	7.19	8.13	14.31	14.25	14.25
	6.72	8.26	9.44	11.93	17.18	17.18
	5.62	5.63	6	5.56	12.87	12.87
Shaft size square (front operated switches)	0.4 X 0.4	0.4 X 0.4	0.4 X 0.4	0.4 X 0.4	0.59 x 0.59	0.59 x 0.59
	10 x 10	10 x 10	10 x 10	10 x 10	15 x 15	15 x 15
3-pole switch operating torque (front operation)	88	88	106	132	350	350
Terminal lugs kit (# lugs per kit)	Integral	Optional (6)	Optional (6)	Optional (6)	Optional (6)	Optional (6)
Wire range AWG (# of wire holes per lug)	#3-#10 (1)	2/0-#14 (1)	3/0-#6 (1)	600 kcmil-#2 (2)	600 kcmil-#2 (2)	600 kcmil-#2 (3)
Wire tightening torque	58	120	200	500	500	500

(1) 3 pole in series

## IEC 947-3 TECHNICAL CHARACTERISTICS FOR FRONT & SIDE OPERATION

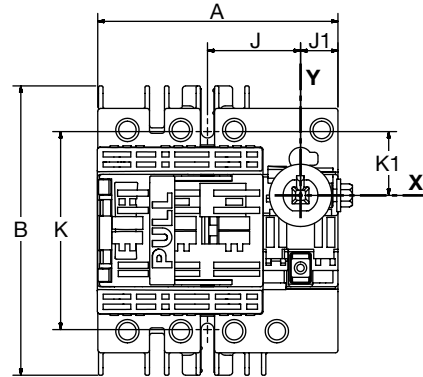
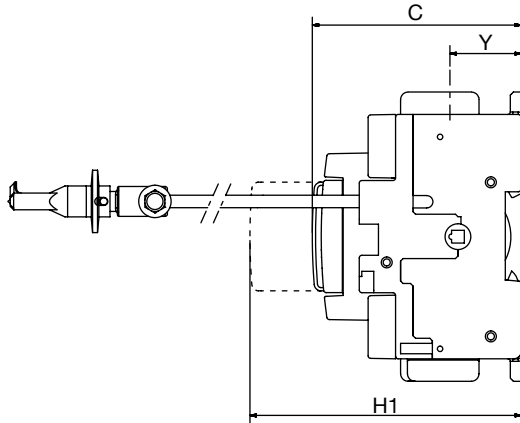
Catalog number	FBJ60 / FBJ604 FBJ60T / FBJ604T FBJ60SO / FBJ604SO	FBJ100 / FBJ1004 FBJ100T / FBJ1004T FBJ100SO / FBJ1004SO	FBJ200 / FBJ2004 FBJ200T / FBJ2004T FBJ200SO / FBJ2004SO	FBJ400 / FBJ4004 FBJ400T / FBJ4004T FBJ400SO / FBJ4004SO	FBJ600 / FBJ6004	FBL800 / FBL8004
<b>Rating</b>	<b>60</b>	<b>100</b>	<b>200</b>	<b>400</b>	<b>600</b>	<b>800</b>
Rated Insulation voltage Ui (V)	750	750	750	800	1000	1000
Rated impulse voltage (Uimp)	8 kV	8 kV	8 kV	8 kV	12 kV	12 kV
Operating current Ie (A)						
400 V AC	63	100	200	400	630	800
	63	100	200	400	630	800
690 V AC	63	100	200	400	630	800
	63	100	200	250	630	630
<b>Motor Power (kW)</b>						
400 V AC	30	51	100	220	355	450
500 V AC	40	63	140	220	450	560
690 V AC	55	90	185	220	600	600
Max. peak let through current (gG)	17.6	22	32	36	77	77
<b>Connection</b>						
Minimum Cu cable section	10	25	50	185	2 x 150	—
Minimum CU busbar section	—	—	—	—	—	2 x 40 x 5

# FUSERBLOC FRONT OPERATED FUSIBLE DISCONNECT SWITCHES

**DIMENSIONS (dual dimensions: in/mm)**

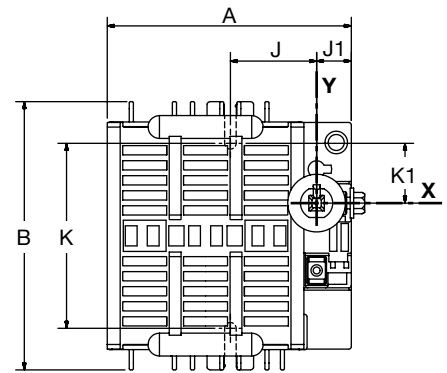
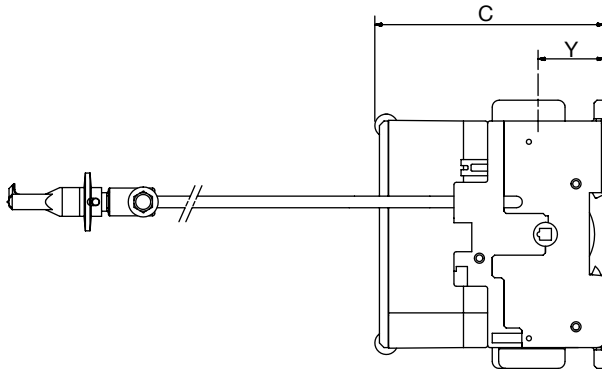
**FUSERBLOC CD 30A CC**

FBCC30CDT



**FUSERBLOC CD 30A J**

FBJ30CDT



RATING	NUMBER OF POLES	A		B		C		H		H1		H2		H3		J		J1		K		K1		Y	
		In	mm	In	mm	In	mm	In	mm	In	mm	In	mm	In	mm	In	mm	In	mm	In	mm	In	mm	In	mm
30A CC CD type	3 P	3.78	96	4.56	116	3.28	83.5	—	—	5.19	132	—	—	—	—	1.47	37.5	0.59	15	3.13	79.5	1	25.5	1.12	28.5
30A J CD type	3 P	4.13	105	4.56	116	3.89	99	—	—	—	—	—	—	—	—	1.47	37.5	0.59	15	3.30	84	1	25.5	1.12	28.5

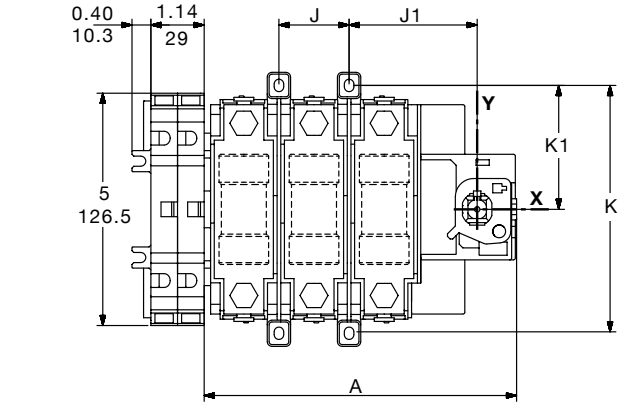
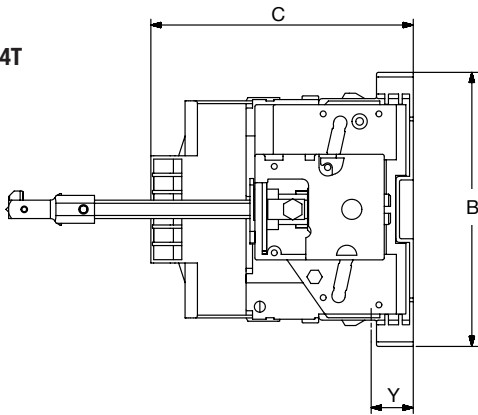


# FUSERBLOC FRONT OPERATED FUSIBLE DISCONNECT SWITCHES

## DIMENSIONS (dual dimensions: in/mm)

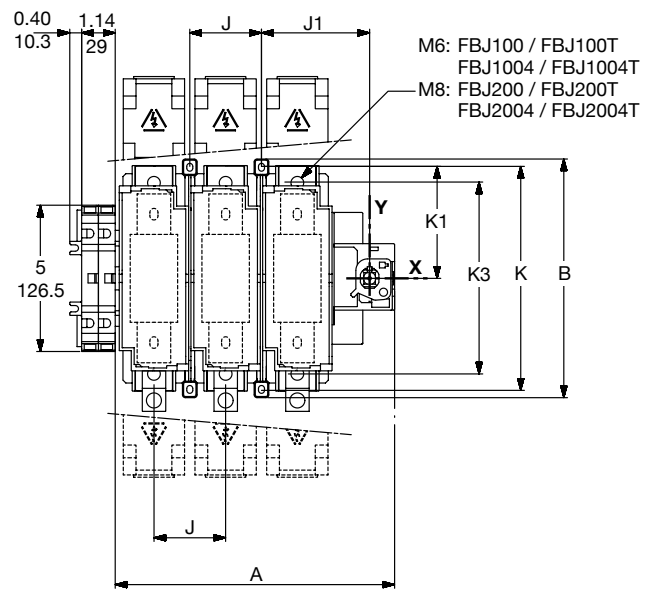
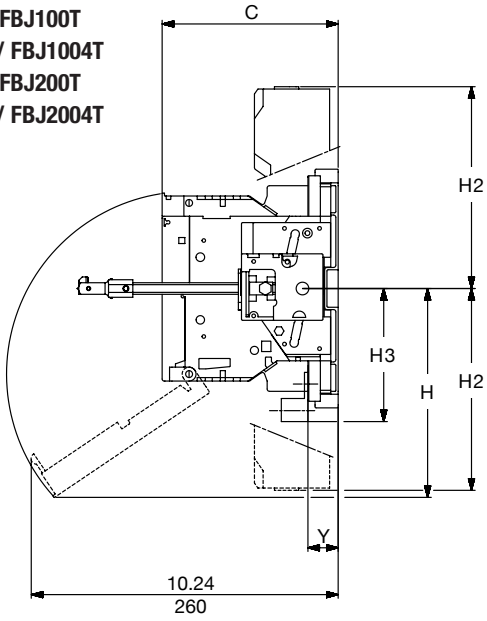
### FUSERBLOC 30A CC - 30A J - 60A J

- FBCC30 / FBCC30T
- FBCC304 / FBCC304T
- FBJ30 / FBJ30T
- FBJ304 / FBJ304T
- FBJ60 / FBJ60T
- FBJ604 / FBJ604T



### FUSERBLOC 100A J - 200A J

- FBJ100 / FBJ100T
- FBJ1004 / FBJ1004T
- FBJ200 / FBJ200T
- FBJ2004 / FBJ2004T



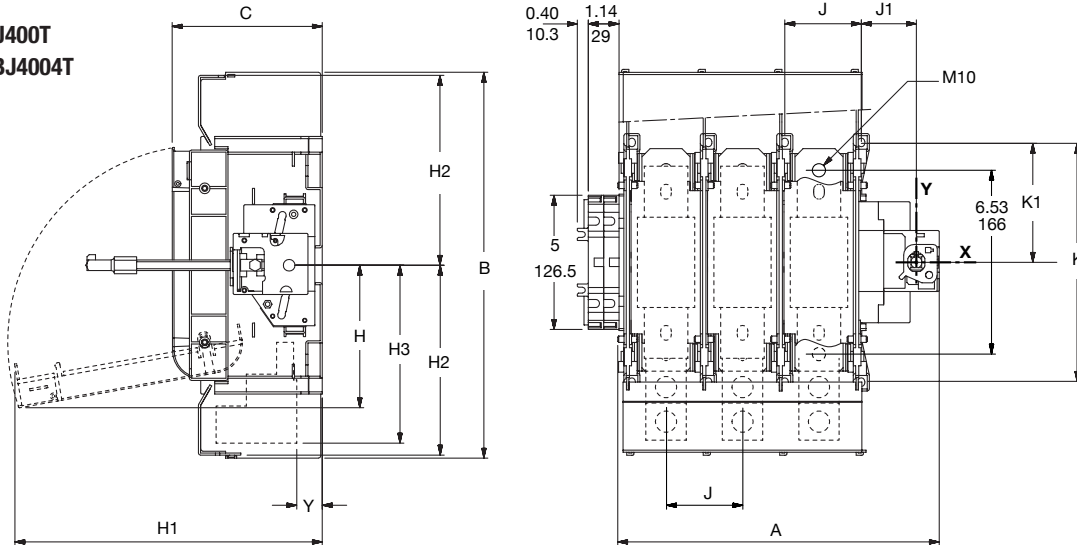
RATING	NUMBER OF POLES	A		B		C		H		H2		H3		J		J1		K		K1		K3		Y	
		In	mm	In	mm	In	mm	In	mm	In	mm	In	mm	In	mm	In	mm	In	mm	In	mm	In	mm	In	mm
30A CC	3 P	5.63	143	5.87	149	3.89	99	—	—	—	—	—	—	1.14	29	2.38	60.5	5.31	135	2.63	66.5	—	—	1.21	31
	4 P	6.77	172																						
30A J	3 P	6.72	171	5.87	149	5.62	143	—	—	—	—	—	—	1.5	38	2.75	69.5	5.31	135	2.63	66.5	—	—	0.95	24.5
	4 P	8.23	209																						
60A J	3 P	6.72	171	5.87	149	5.62	143	—	—	—	—	—	—	1.5	38	2.75	69.5	5.31	135	2.63	66.5	—	—	0.95	24.5
	4 P	8.23	209																						
100A J	3 P	8.26	210	7.19	182.5	5.63	143	4.06	103	5.27	134	3.66	93	2.05	52	3.28	83.5	6.61	168	3.28	83.5	5.55	141	1	26
	4 P	10.31	262																						
200A J	3 P	9.44	240	8.13	206.5	6	152	7.27	184.5	6.87	174.5	4.79	122	2.44	62	3.68	93.5	7.56	192	3.75	95.5	6.53	166	1.03	26
	4 P	11.89	302													4.66	118.5								

# FUSERBLOC FRONT OPERATED FUSIBLE DISCONNECT SWITCHES

## DIMENSIONS (dual dimensions: in/mm)

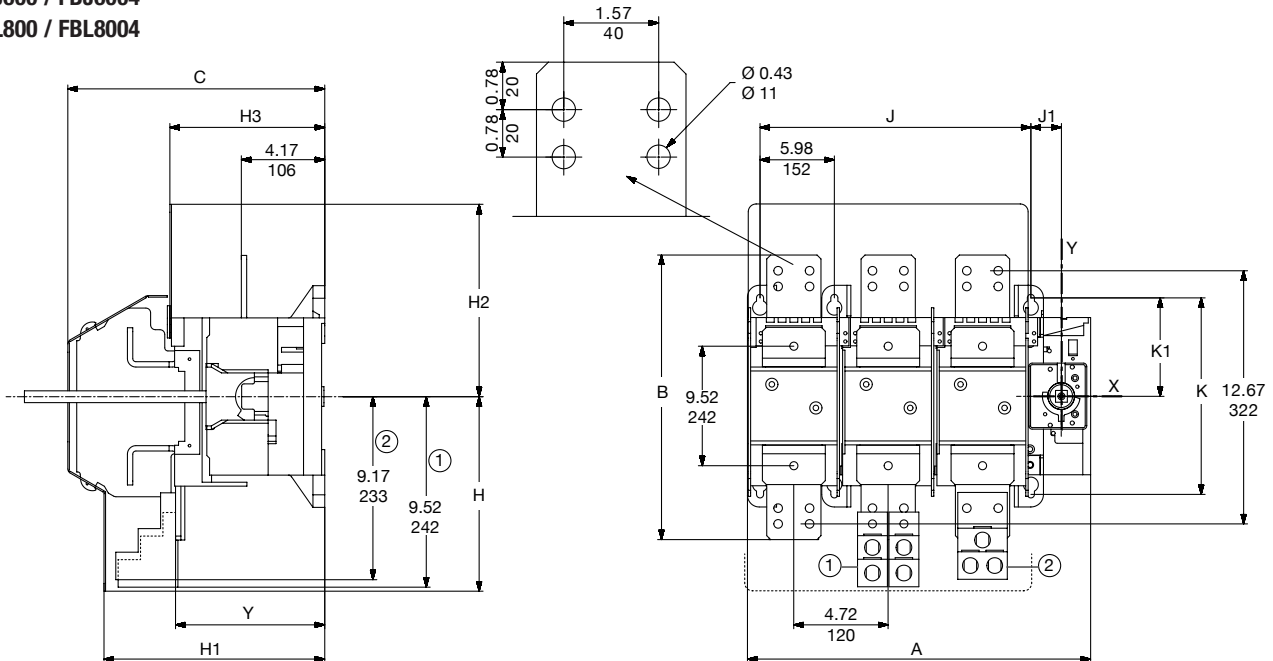
### FUSERBLOC 400A J

FBJ400 / FBJ400T  
FBJ4004 / FBJ4004T



### FUSERBLOC 600A J - 800A L

FBJ600 / FBJ6004  
FBL800 / FBL8004



RATING	NUMBER OF POLES	A		B		C		H		H1		H2		H3		J		J1		K		K1		Y	
		In	mm	In	mm	In	mm	In	mm	In	mm	In	mm	In	mm	In	mm	In	mm	In	mm	In	mm	In	mm
400A J	3 P	11.93	303	14.31	363.5	5.56	141.5	5.28	134.5	11.41	290	7.04	179	6.59	167.5	2.84	72	2.04	52	8.83	224	4.41	112	1.06	27
	4 P	14.76	375																						
600A J 800A L	3 P	17.18	436.5	14.25	362	12.87	327	9.74	247.5	11.06	281	8.66	220	7.75	197	13.58 18.30	345 465	1.51	38.5	9.84	250	4.92	125	7.48	190
	4 P	21.9	556.5																						

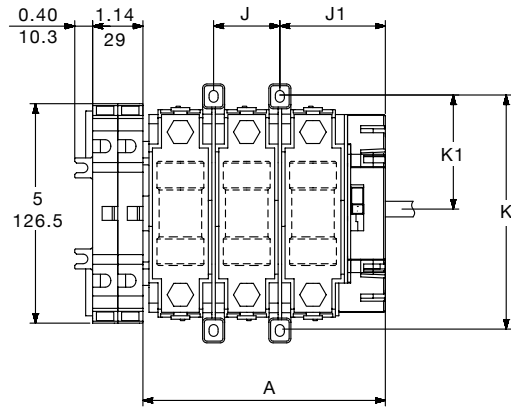
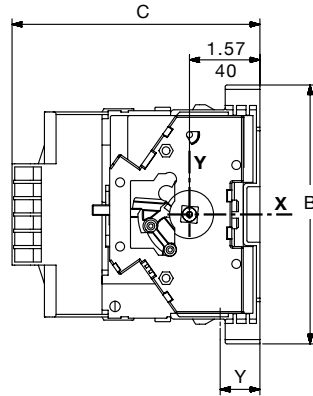
# FUSERBLOC

## SIDE OPERATED FUSIBLE DISCONNECT SWITCHES

### DIMENSIONS (dual dimensions: in/mm)

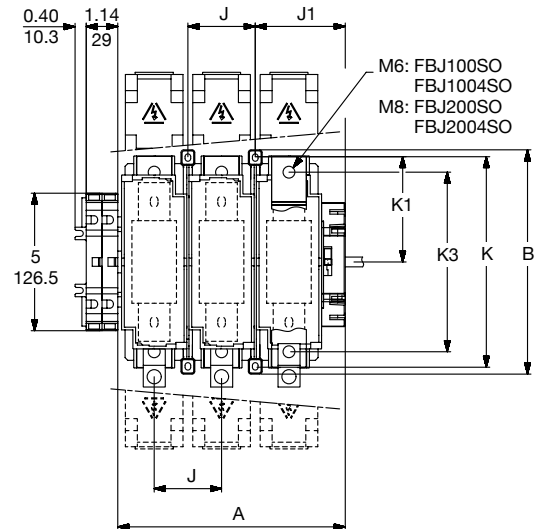
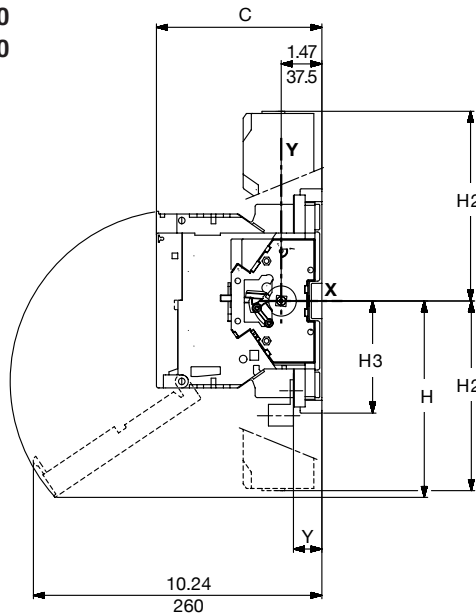
#### FUSERBLOC 30A CC - 30A J - 60A J

FBCC30SO / FBCC304SO  
 FBJ30SO / FBJ304SO  
 FBJ60SO / FBJ604SO



#### FUSERBLOC 100A J - 200A J

FBJ100SO / FBJ1004SO  
 FBJ200SO / FBJ2004SO



RATING	NUMBER OF POLES	A		B		C		H		H2		H3		J		J1		K		K1		K3		Y	
		In	mm	In	mm	In	mm	In	mm	In	mm	In	mm	In	mm	In	mm	In	mm	In	mm	In	mm	In	mm
30A CC	3 P	4.37	111	5.87	149	3.89	99	—	—	—	—	—	—	1.14	29	1.97	50	5.31	135	2.63	66.5	—	—	1.21	31
	4 P	5.51	140																						
30A J	3 P	5.45	138.5	5.87	149	5.62	143	—	—	—	—	—	—	1.5	38	2.32	59	5.31	135	2.63	66.5	—	—	0.95	24.5
	4 P	6.95	176.5																						
60A J	3 P	5.45	138.5	5.87	149	5.62	143	—	—	—	—	—	—	1.5	38	2.32	59	5.31	135	2.63	66.5	—	—	0.95	24.5
	4 P	6.95	176.5																						
100A J	3 P	7.09	180	7.19	182.5	5.63	143	4.06	103	5.27	134	3.66	93	2.05	52	2.86	73	6.61	168	3.28	83.5	5.55	141	1	26
	4 P	9.13	232																						
200A J	3 P	9.47	240.5	8.13	206.5	6	152	7.27	184.5	6.87	174.5	4.79	122	2.44	62	4.47	113.5	7.56	192	3.75	95.5	6.53	166	1.03	26
	4 P	11.9	302.5																						

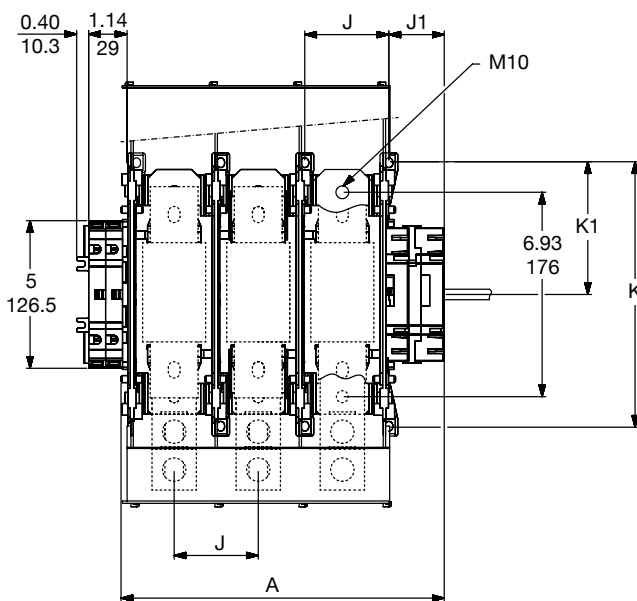
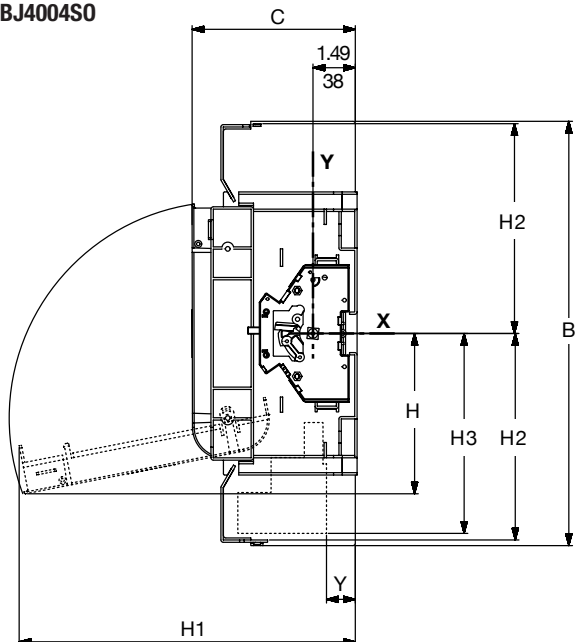
# FUSERBLOC

## SIDE OPERATED FUSIBLE DISCONNECT SWITCHES

### DIMENSIONS (dual dimensions: in/mm)

#### FUSERBLOC 400A J

FBJ400S0  
FBJ4004S0



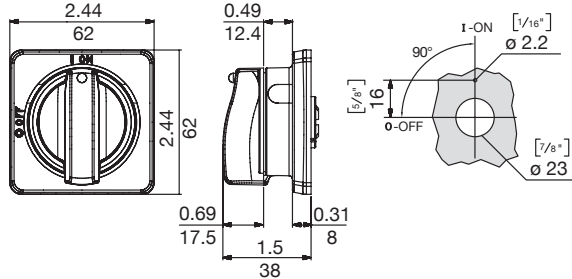
RATING	NUMBER OF POLES	A		B		C		H		H1		H2		H3		J		J1		K		K1		Y	
		In	mm	In	mm	In	mm	In	mm	In	mm	In	mm	In	mm	In	mm	In	mm	In	mm	In	mm	In	mm
400A J	3 P	10.9	277	14.31	363.5	5.57	141.5	5.29	134.5	11.42	290	7.04	179	6.59	167.5	2.84	72	1.89	48	8.82	224	4.41	112	1.06	27
	4 P	13.74	349																						

# FUSERBLOC

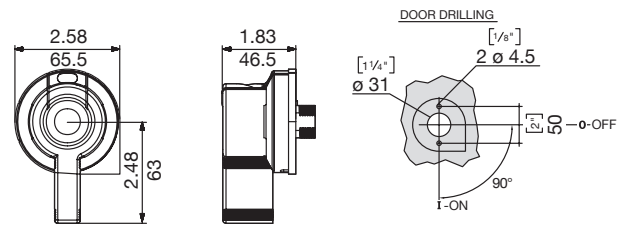
## FUSIBLE DISCONNECT SWITCHES

### HANDLES FOR EXTERNAL FRONT OPERATION

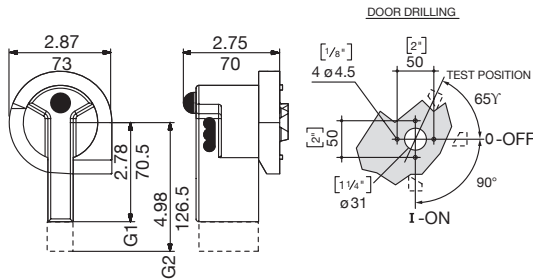
#### SELECTOR HANDLE TYPE M



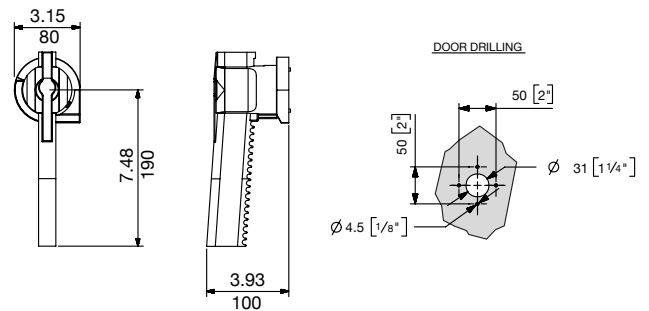
#### PISTOL HANDLE TYPE D



#### PISTOL HANDLE TYPE G

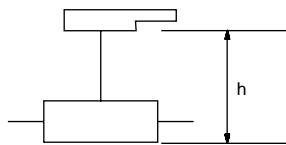


#### PISTOL HANDLE TYPE H



### BACKPLATE TO DOOR DISTANCE WITH SHAFT EXTENSION (in/mm)

#### MINIMUM DISTANCE (in/mm)

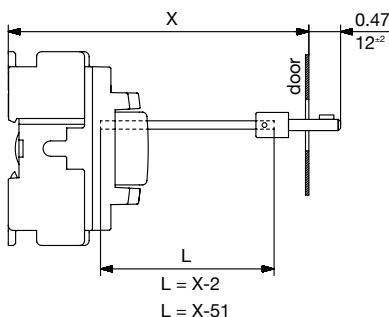


h minimum dimension	HANDLE TYPE M		HANDLE TYPE D		HANDLE TYPE G		HANDLE TYPE H	
	In	mm	In	mm	In	mm	In	mm
FUSERBLOC CD 30 A CC	4.73	120	5.12	130	4.14	105	-	-
FUSERBLOC CD 30 A J	5.32	135	5.91	150	4.73	120	-	-
FUSERBLOC 30 A CC	-	-	-	-	4.73	120	-	-
FUSERBLOC 30 A J - 60 A J	-	-	-	-	6.50	165	-	-
FUSERBLOC 100 A J	-	-	-	-	6.50	165	-	-
FUSERBLOC 200 A J	-	-	-	-	6.89	175	-	-
FUSERBLOC 400 A J	-	-	-	-	6.50	165	-	-
FUSERBLOC 600 A J - 800 A L	-	-	-	-	-	-	16.38	416

#### SHAFT TRIMMING LENGTH (=DIMENSION L)

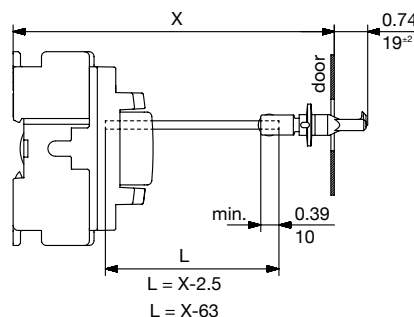
#### SELECTOR HANDLE TYPE M

FBCC30CDT - FBJ30CDT



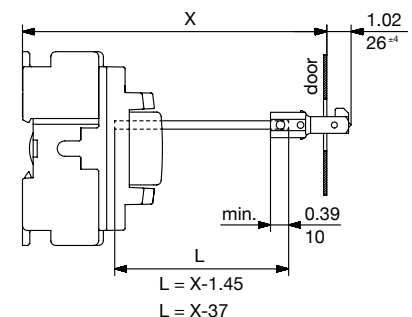
#### PISTOL HANDLE TYPE D

FBCC30CDT - FBJ30CDT



#### PISTOL HANDLE TYPE G

FBCC30CDT - FBJ30CDT

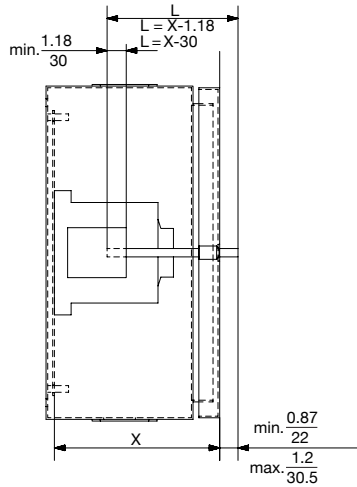


# FUSERBLOC

## FUSIBLE DISCONNECT SWITCHES

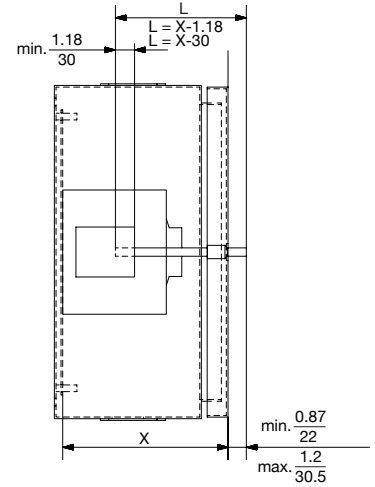
### PISTOL HANDLE TYPE G

- FBCC30 / FBCC30T
- FBCC304 / FBCC304T
- FBJ30 / FBJ30T
- FBJ304 / FBK304T
- FBJ60 / FBJ60T
- FBJ604 / FBJ604T
- FBJ100 / FBJ100T
- FBJ1004 / FBJ1004T
- FBJ200 / FBJ200T
- FBJ2004 / FBJ2004T



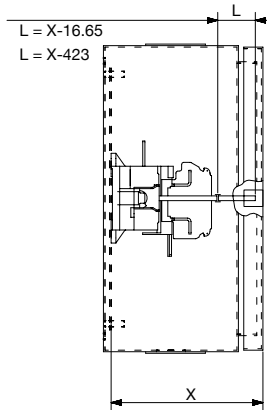
### PISTOL HANDLE TYPE G

- FBJ400 / FBJ400T
- FBJ4004 / FBJ4004T



### PISTOL HANDLE TYPE H

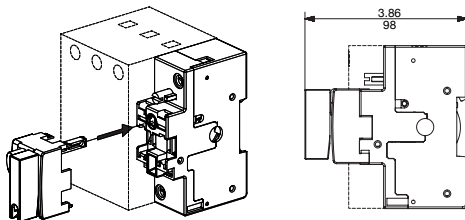
- FBJ600
- FBJ6004
- FBL800
- FBL8004



## HANDLES FOR DIRECT FRONT OPERATION

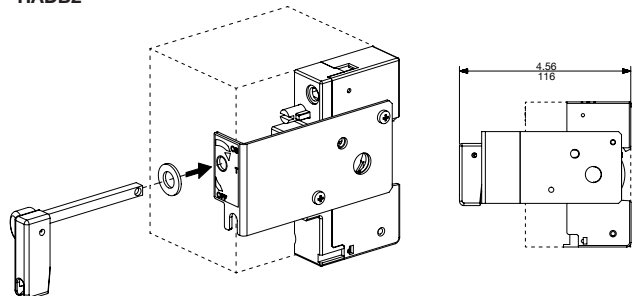
### PISTOL HANDLE TYPE P

HADB1



### PISTOL HANDLE TYPE P

HADB2

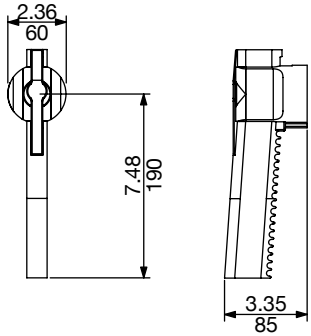


# FUSERBLOC

## FUSIBLE DISCONNECT SWITCHES

### PISTOL HANDLE TYPE H

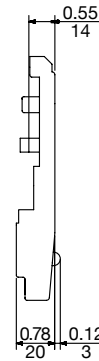
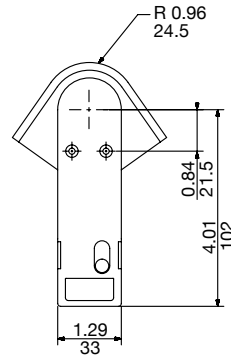
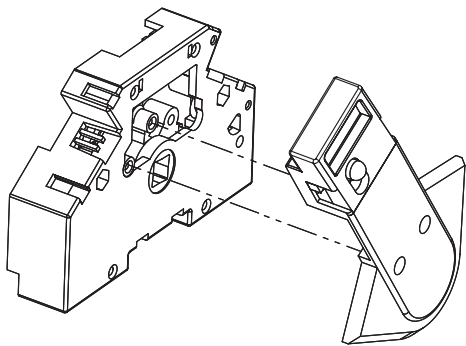
HADB5



### HANDLES FOR DIRECT SIDE OPERATION

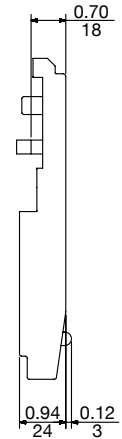
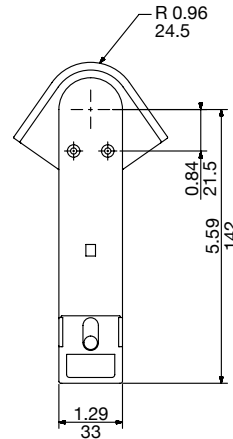
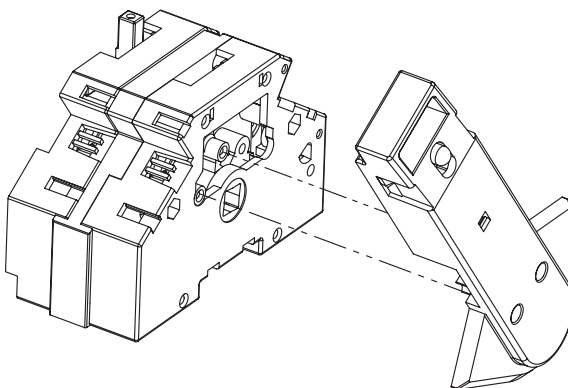
#### HANDLE TYPE F (SHORT VERSION)

HADB3



#### HANDLE TYPE F (LONG VERSION)

HADB4

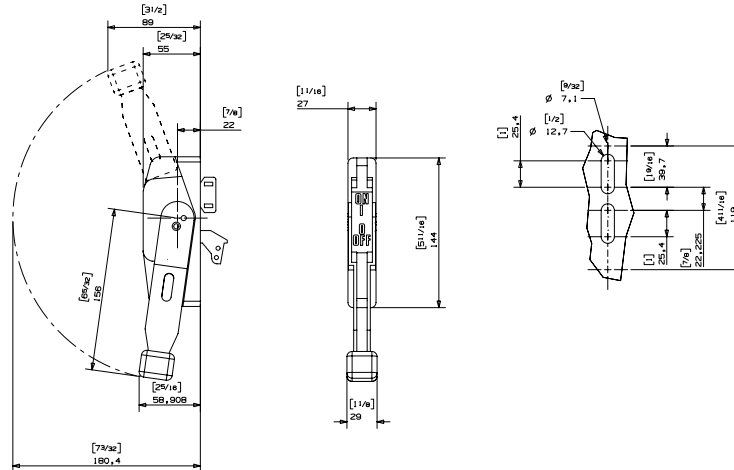


# FUSERBLOC

## FUSIBLE DISCONNECT SWITCHES

### HANDLE FOR FLANGE OPERATION

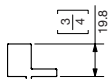
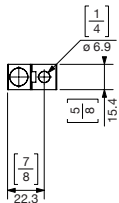
#### SQUARE D TYPE FLANGE HANDLE - CLASS 9422 (A1 & A2)



### TERMINAL LUGS

#### TL100

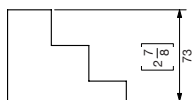
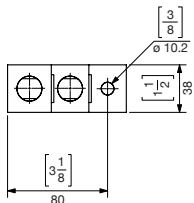
for use with FUSERBLOC 100 J



1 wire 2/0 - #14

#### TL600

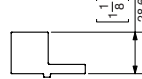
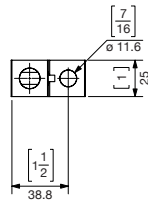
for use with FUSERBLOC 400 J - 600 J - 800 L



2 wires 600 MCM-2

#### TL200

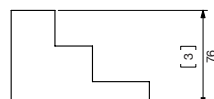
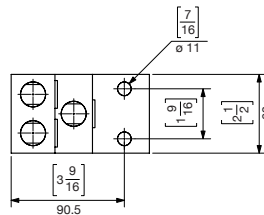
for use with FUSERBLOC 200 J



1 wire 3/0 - #6

#### TL800

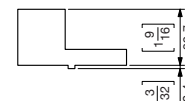
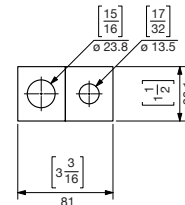
for use with FUSERBLOC 800 L



3 wires 600MCM-2

#### TL400

for use with FUSERBLOC 400 A



1 wire 600 MCM-2

Note: 2 lugs required per terminal for FUSERBLOC 800 A L

