

# CLASS H

## NRN/NRS/CANADIAN FUSES

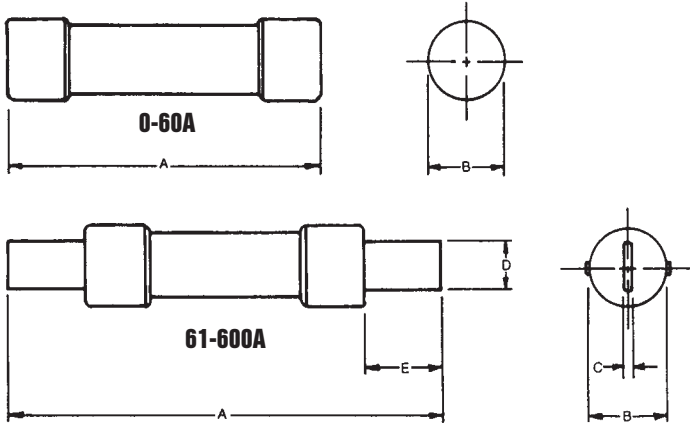


### NRN & NRS NON-TIME DELAY FUSES

Ferraz Shawmut NRN (250V) and NRS (600V) fuses are standard non-time delay fuses, with a 10kA short circuit rating. 250 Volt NRN15 through NRN60 fuses are certified as Type "P" fuses, satisfying the Canadian Electrical Code for low melting-point non-time delay fuses. Also qualifying for Type "P" are OTN15 through OTN60, which are Class K-5 fuses with a 50kA short circuit rating (found in the OT/OTS section of this catalog).

### 250V NRN Fuses – Dimensions

AMPERE RATING	DIMENSIONS -INCHES (mm)				
	A	B	C	D	E
1-30	2.00 (50.8)	0.56 (14.2)	-	-	0.50 (12.7)
35-60	3.00 (76.2)	0.81 (20.6)	-	-	0.63 (16.0)
70-100	5.88 (149)	1.06 (26.9)	0.13 (3.18)	0.75 (19.1)	1.00 (25.4)
110-200	7.13 (181)	1.63 (41.4)	0.19 (4.76)	1.13 (28.7)	1.38 (35.1)
225-400	8.63 (219)	2.13 (54.1)	0.25 (6.35)	1.63 (41.4)	1.88 (47.8)
450-600	10.4 (264)	2.63 (66.8)	0.25 (6.35)	2.00 (50.8)	2.25 (57.2)



### 600V NRS Fuses – Dimensions

1-30	5.00 (127)	0.81 (20.6)	-	-	0.63 (16.0)
35-60	5.50 (139)	1.06 (26.9)	-	-	0.63 (16.0)
70-100	7.88 (200)	1.38 (35.1)	0.13 (3.18)	0.75 (19.1)	1.00 (25.4)
110-200	9.63 (244)	1.88 (47.8)	0.19 (4.76)	1.13 (28.7)	1.38 (35.1)
225-400	11.6 (295)	2.63 (66.8)	0.25 (6.35)	1.63 (41.4)	1.88 (47.8)
450-600	13.4 (340)	3.13 (79.5)	0.25 (6.35)	2.00 (50.8)	2.25 (57.2)

### 250V Fuse Ampere Ratings, Catalog Numbers

AMPS	CATALOG NO.	AMPS	CATALOG NO.	AMPS	CATALOG NO.	AMPS	CATALOG NO.	AMPS	CATALOG NO.
1	NRN1	15	NRN15*	50	NRN50*	125	NRN125	350	NRN350
2	NRN2	20	NRN20*	60	NRN60*	150	NRN150	400	NRN400
3	NRN3	25	NRN25*	70	NRN70	175	NRN175	450	NRN450
4	NRN4	30	NRN30*	80	NRN80	200	NRN200	500	NRN500
5	NRN5	35	NRN35*	90	NRN90	225	NRN250	600	NRN600
6	NRN6	40	NRN40*	100	NRN100	250	NRN250	-	-
10	NRN10	45	NRN45*	110	NRN110	300	NRN300	-	-

### 600V Fuse Ampere Ratings, Catalog Numbers

1	NRS1	15	NRS15	50	NRS50	125	NRS125	350	NRS350
2	NRS2	20	NRS20	60	NRS60	150	NRS150	400	NRS400
3	NRS3	25	NRS25	70	NRS70	175	NRS175	450	NRS450
4	NRS4	30	NRS30	80	NRS80	200	NRS200	500	NRS500
5	NRS5	35	NRS35	90	NRS90	225	NRS250	600	NRS600
6	NRS6	40	NRS40	100	NRS100	250	NRS250	-	-
10	NRS10	45	NRS45	110	NRS110	300	NRS300	-	-

\* CSA Type "P"