

# PCT SERIES

## PC MOUNT FUSES



### TIME DELAY FUSES FOR DIRECT MOUNTING ON PRINTED CIRCUIT BOARDS

Ferraz Shawmut's new PCT series of time-delay, direct-mountable fuses addresses the increasing need for electrical protection at the PC board as current and voltage requirements push higher. These fuses help printed circuit board manufacturers reduce parts by eliminating clips and fuse blocks and allowing automated assembly. PCT fuses can be used for the protection of main frame power boards, small circuit breakers with low interrupting ratings and other components. PCT fuses bring protection with time delay, greatly increased ampere, voltage and interrupting ratings to the board itself and are UL Component Recognized

#### HIGHLIGHTS:

- Time Delay
- PC Board Mount
- Three Mounting Styles

#### APPLICATIONS:

- Protection of main frame power boards, circuit breakers, components

#### Ratings

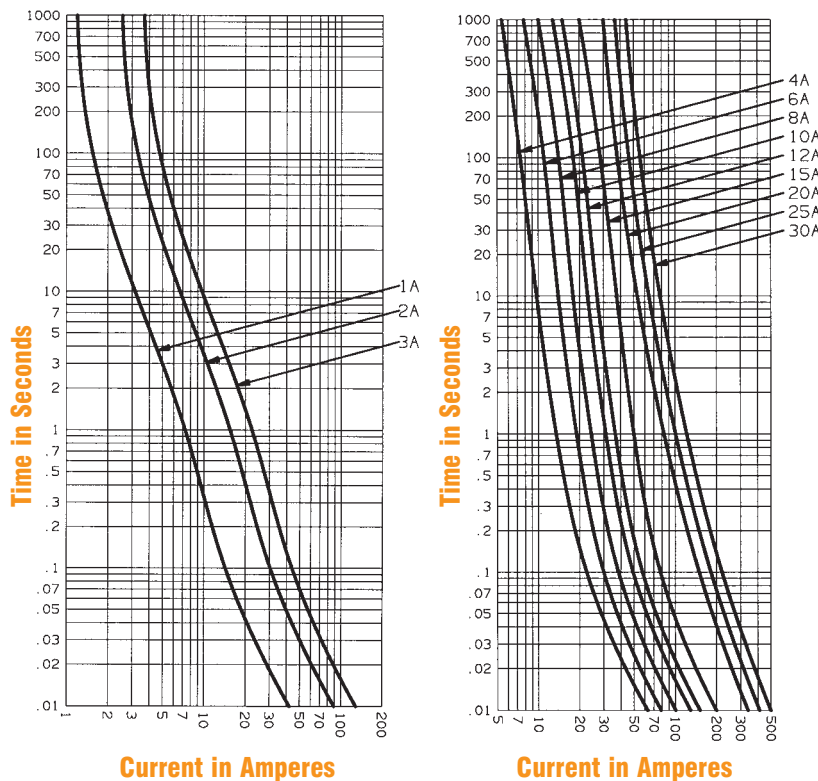
- AC: 1 to 30A  
500VAC, 100kA

#### Approvals

- UL Recognized Components  
File E60314



### Melting Time – Current Data



### Standard Fuse Ampere Ratings, Catalog Numbers

AMPERE RATING	CATALOG NUMBER	AMPERE RATING	CATALOG NUMBER
Slot Mount			
1	PCT1-R	8	PCT8-R
2	PCT2-R	10	PCT10-R
3	PCT3-R	12	PCT12-R
4	PCT4-R	15	PCT15-R
5	PCT5-R	20	PCT20-R
6	PCT6-R	25	PCT25-R
7	PCT7-R	30	PCT30-R
Double Hole Mount			
1	PCT1-H	8	PCT8-H
2	PCT2-H	10	PCT10-H
3	PCT3-H	12	PCT12-H
4	PCT4-H	15	PCT15-H
5	PCT5-H	20	PCT20-H
6	PCT6-H	25	PCT25-H
7	PCT7-H	30	PCT30-H
Surface Mount			
1	PCT1-S	8	PCT8-S
2	PCT2-S	10	PCT10-S
3	PCT3-S	12	PCT12-S
4	PCT4-S	15	PCT15-S
5	PCT5-S	20	PCT20-S
6	PCT6-S	25	PCT25-S
7	PCT7-S	30	PCT30-S

Dimensions of the PCT Series are found on page C 29

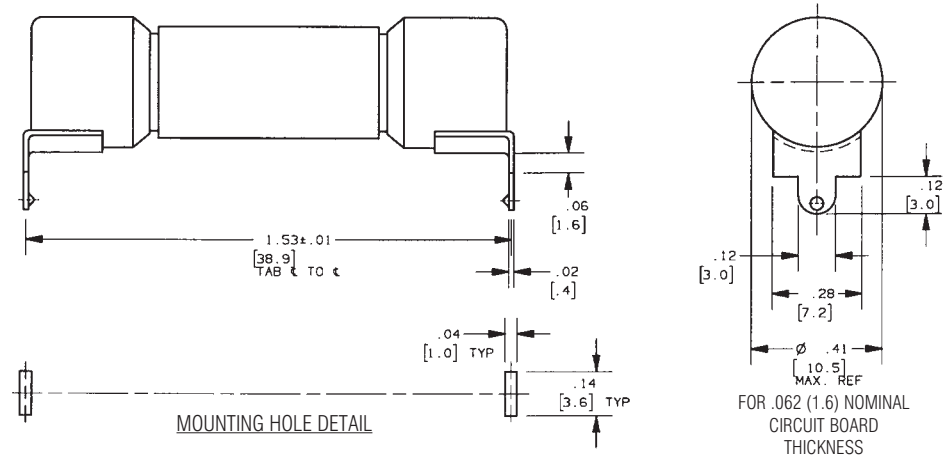
# PCF/PCS/PCT SERIES

## PC MOUNT FUSES

### Outline Dimensions

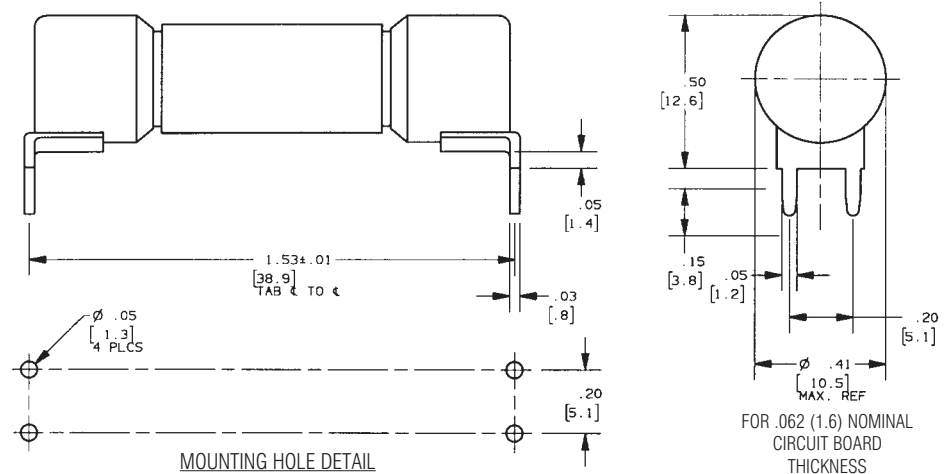
PCF1-R thru PCF30-R  
PCS5-R thru PCS40-R  
PCT1-R thru PCT30-R

#### Slot Mount (Rectangular Holes)



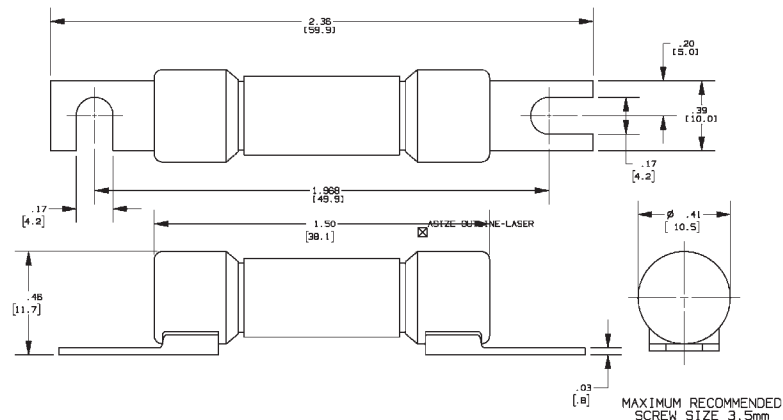
#### Double Hole Mount (Round Holes)

PCF1-H thru PCF30-H  
PCS5-H thru PCS40-H  
PCT1-H thru PCT30-H



#### Surface (Screw) Mount

PCF1-S thru PCF30-S  
PCS5-S thru PCS40-S  
PCT1-S thru PCT30-S



MAXIMUM RECOMMENDED  
SCREW SIZE #6 (3.5mm)