

US14 & US22

750 VOLT/ULTRASAFE™ FUSE HOLDERS



ULTRASAFE MODULAR FUSE HOLDERS FOR 14 X 51 AND 22 X 58 MM FUSES

Ferraz Shawmut ULTRASAFE™ modular 750 volt Fuse Holders offer the highest levels of safety and features for 14 x 51 mm and 22 x 58 mm fuses. Like all ULTRASAFE™ holders, they qualify as “finger safe” to an IP20 grade of protection under IEC standards, including fuse changing (with the flick of a finger). The US14 and US22 ranges are available in 1, 2 or 3 pole units, with or without blown-fuse indicator lights in each pole.

These holders come standard with a mechanical indicator that shows fuse presence. If a striker fuse is used, this mechanical indicator will also indicate a blown fuse. Microswitches can be supplied with the holders (or ordered separately for field installation) to allow remote communication. These holders also feature padlocking capabilities, DIN rail mounting with our unique latching system to allow re-positioning, and the capability to be joined as multiple poles in the field.

HIGHLIGHTS:

- Finger Safe
- Optional Indicator Lights
- Optional Microswitches
- DIN Rail Mount
- Compact Footprint
- Quick, Easy Fuse Change

APPLICATIONS:

- All circuits up to 750 volts using semiconductor fuses for protection of small inverters, UPS systems, motor drives, etc.
- No-load disconnect
- IP20 requirements

Ratings	Approvals
<ul style="list-style-type: none"> ➤ 750V AC ➤ 50A (14 x 51 mm) ➤ 125A (22 x 58 mm) ➤ Short Circuit Current Rating: 200kA 	<ul style="list-style-type: none"> ➤ All Ultrasafe Fuse Holders meet the requirements of UL512 ➤ UL Recognized Component Guide IZLT2, File E52283 ➤ CSA Certified Class 6225, File 32169 ➤ IEC 269, 947-3

RECOMMENDED FUSE USAGE

US14 use with 14 x 51mm **A70QS, A70P, URC, URD, gD14**
 US22 use with 22 x 58mm **A70QS, URD, gD22**



US14 & US22

750 VOLT/ULTRASAFE™ FUSE HOLDERS

Catalog Numbers and Descriptions - For use with 14 x 51 mm Fuses up to 50A

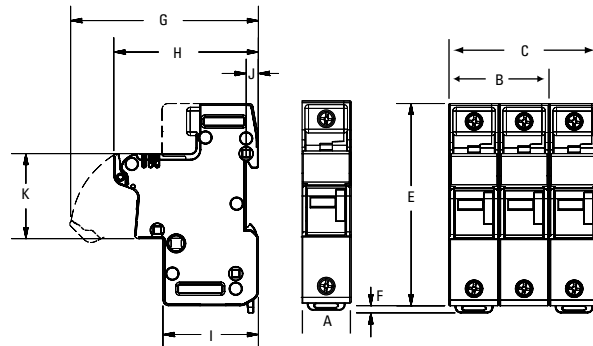
CATALOG NO.	DESCRIPTION
US141	1 Pole
US142	2 Pole
US143	3 Pole
US141I	1 Pole with Indicator
US142I	2 Pole with Indicators
US143I	3 Pole with Indicators
US141M	1 Pole with Microswitch
US142M	2 Pole with Microswitch
US143M	3 Pole with Microswitch
US143M2	3 Pole with 2 Microswitches
US141MI	1 Pole with Microswitch & Indicator
US142MI	2 Pole with Microswitch & Indicators
US143MI	3 Pole with Microswitch & Indicators
US143M2I	3 Pole with 2 Microswitches & Indicators
US141N	1 Pole - Neutral
US14PAK	Accessory - Multi-pole Assembly Kit
US14S1P	Accessory - 1 Pole Microswitch
US14S3P	Accessory - 3 Pole Microswitch
US14S3P2	Accessory - 3 Pole, 2 Microswitches

Catalog Numbers and Descriptions - For use with 22 x 58 mm Fuses up to 125A

CATALOG NO.	DESCRIPTION
US221	1 Pole
US222	2 Pole
US223	3 Pole
US221I	1 Pole with Indicator
US222I	2 Pole with Indicators
US223I	3 Pole with Indicators
US221M	1 Pole with Microswitch
US222M	2 Pole with Microswitch
US223M	3 Pole with Microswitch
US223M2	3 Pole with 2 Microswitches
US221MI	1 Pole with Microswitch & Indicator
US222MI	2 Pole with Microswitch & Indicators
US223MI	3 Pole with Microswitch & Indicators
US223M2I	3 Pole with 2 Microswitches & Indicators
US22N	1 Pole - Neutral
US22PAK	Accessory - Multi-pole Assembly Kit
US22S1P	Accessory - 1 Pole Microswitch
US22S3P	Accessory - 3 Pole Microswitch
US22S3P2	Accessory - 3 Pole, 2 Microswitches

Accessories for Assembling Multiple Poles

US14PAK	US22PAK	Multi-pole Assembly Kit
US14S1P	US22S1P	Microswitch for single pole
US14S3P	US22S3P	Microswitch for 3 pole
US14S3P2	US22S3P2	2 Microswitches for 3 pole



Dimensions

DIMENSION	US14		US22	
	mm	In	mm	In
A	26.5	1.04	35.0	1.38
B	53.0	2.09	70.0	2.76
C	79.5	3.13	105.0	4.13
E	107.0	4.21	124.0	4.88
F	3.80	0.15	3.80	0.15
G	94.0	3.70	103.0	4.06
H	76.5	3.01	76.5	3.01
J	6.50	0.26	6.5	0.26
K	45.0	1.77	45.0	1.77

Terminal screws: Phillips/slot head

Suggested screw torque: 50A - 35 lbs.-in.
125A - 45 lbs.-in.

Connector type: Pressure Plate

Wire range: US14 #2 to #14 (solid/stranded Cu)
US22 1/0 to #14 (solid/stranded Cu)

Load-break disconnect: No