

USFM

600 VOLT/ULTRASAFE™ FUSE MODULES



ULTRASAFE FUSE MODULES

Ferraz Shawmut ULTRASAFE™ Fuse Modules have a unique, compact design suited for use with 45mm wide IEC contactors. These modules also offer other features not found on other Class CC and midget Ultrasafe fuse holders such as an auxiliary contact option. When the auxiliary is wired to an adjacent contactor the load is dropped out by the contactor immediately once someone tries to open the fuse extractor handle. Additionally, the fuse module features padlock capabilities, compact busbars for line side terminations, and tool free removal from DIN rail. Yet the fuse modules still incorporate well known Ultrasafe features such as IP20 protection, easy operating fuse extraction handles and an open fuse visual indication option.

HIGHLIGHTS:

- Dedicated 3-pole fuse module
- Finger Safe
- Compact Footprint with 45mm width
- Auxiliary Contact Option (1NO/1NC)
- Ability to padlock in OPEN position with 1/4" shank diameter
- DIN rail mount with tool free removal
- Quick, easy fuse change
- Optional indicator lights

APPLICATIONS:

- Primarily for motor circuits to replace circuit breakers for higher SCCR ratings
- Other circuits up to 600 volts for control circuits, transformers, etc.
- Non-load disconnect
- Padlock compliance

Ratings

- 600VAC: 30A-UL/CSA
- 690VAC: 32A-IECA
- Short Circuit Current Rating: CC, 200kA-UL/CSA Midget, up to 100kA w/midget fuse dependent on fuse I.R.
- 100kA-IEC

Approvals

- All Ultrasafe Fuse Modules meet the requirements of UL512
- UL Listed, Class CC
- Guide IZLT, File E52283
- UL Recognized Component Midget
- Guide IZLT2, File E52283
- CSA Certified
- Class CC & Midget
- C22.2, Class 6225 01
- File 32169
- IEC 269
- 690VAC, 32A
- 10x38mm version only

RECOMMENDED FUSE USAGE

USFMCC use with **ATDR, ATMR, ATQR**
USFMM use with **ATQ, ATM, A6Y-2B, A25Z-2**
TRM, OTM, A15QS, GFN, GGU, A60Q-2
USFM10 use with **IEC 10x38mm gG, aM, gR fuses**

USFM

600 VOLT/ULTRASAFE™ FUSE MODULES

For use with Class CC Fuses

CATALOG NO.	DESCRIPTION
USFMCC	3 pole fuse module
USFMCCI	3 pole fuse module with indicators
USFMCCM	3 pole fuse module with microswitch style auxiliary contact
USFMCCMI	3 pole fuse module with microswitch style auxiliary contact and indicators

For use with Midget (1-1/2" 13/32") Fuses

CATALOG NO.	DESCRIPTION
USFMM	3 pole fuse module
USFMMI	3 pole fuse module with indicators
USFMMM	3 pole fuse module with microswitch style auxiliary contact
USFMMMI	3 pole fuse module with microswitch style auxiliary contact and indicators

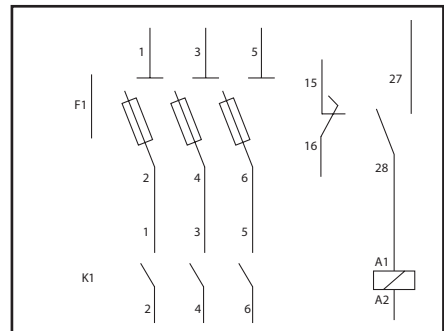
For use with 10x38mm IEC (gG, aM, gR) Fuses

CATALOG NO.	DESCRIPTION
USFM10	3 pole fuse module
USFM10I	3 pole fuse module with indicators
USFM10M	3 pole fuse module with microswitch style auxiliary contact
USFM10MI	3 pole fuse module with microswitch style auxiliary contact and indicators

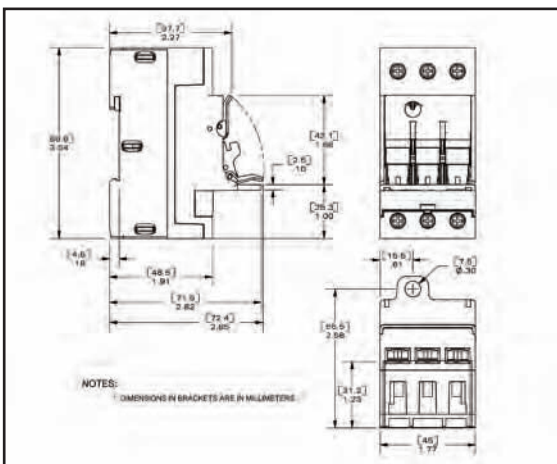
Accessories

CATALOG NO.	DESCRIPTION
USFMAC11	1NO (late make)/NC (early break) auxiliary contact
USFMFC1	Flexible connector to mate with IEC contactor 45mm lead length
USFMFC2	Flexible connector to mate with IEC contactor 70mm lead length
USFMFC3	Flexible connector to mate with IEC contactor 85mm lead length
USFMBB2	Busbar to connect 2 modules together
USFMBB3	Busbar to connect 3 modules together
USFMBB4	Busbar to connect 4 modules together
USFMBB5	Busbar to connect 5 modules together
USFMBBC1	Busbar connector terminal

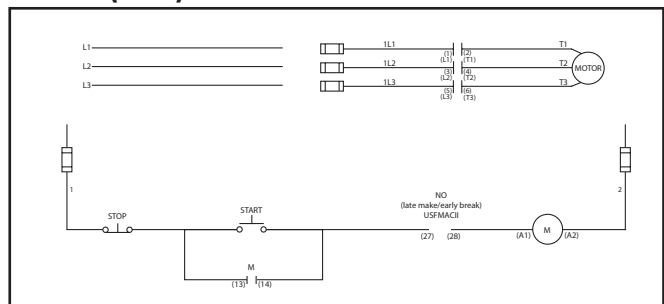
IEC



DIMENSIONS



UL/CSA (ANSI)



Terminal screws: Pozidriv#2, Suggested screw torque: 13 Lbs-in (1.5 N-m), Connector type: Pressure plate, Wire range: #10 to #16 AWG (1-4)mm² (75°C solid/stranded Cu only), Load-break disconnect: No (when auxiliary contact is installed in fuse module and properly wired to adjacent IEC contactor the load will be dropped out prior to disconnection between fuse and clip inside holder upon operation of the fuse extractor handle).