

gG, aM

NH DIMENSION KNIFE-BLADE FUSE-LINKS



NH DIMENSION KNIFE-BLADE FUSE-LINKS, FUSE BASES, AND ACCESSORIES

Ferraz Shawmut NH Fuse-links, sizes 000, 00, 0, 1, 2, 3, 4 and 4a are rated 500 or 690 Volts AC with breaking capacities of 80kA or 120kA. All fuse-links include an indicator or striker and can accept a microswitch for remote signaling. They all have silver-plated knife blades and ceramic bodies. Accessories include 1, 2, 3 or 4-pole bases, barriers, shields, terminals, microswitch, etc.

Ferraz Shawmut Circuit Protection Group is also comprised of Lindner GmbH, a major supplier of NH fuses. These fuses are now being sold to markets worldwide through the Ferraz Shawmut distribution network. For Lindner information please contact your local representative.

Standards

- DIN 57636
- NFC 63210-63211
- CEI 269-1-2-2A
- UNE 21103
- VDE 0636-2-1, 2-2
- DIN 43620

Approvals

- Lloyd's Register of Shipping
- Bureau Veritas

F

gG

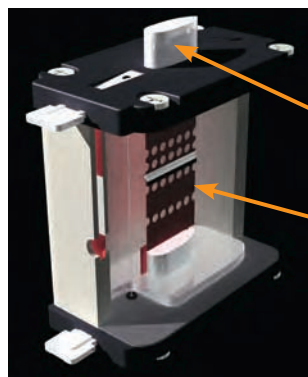
FULL RANGE PROTECTION

- Sizes 000, 00, 0, 1, 2, 3, 4, 4a
- 500 and 690 Volt ratings - 2A through 800A
- All ratings include indicator
- All equipped for microswitch mounting

gG

FULL RANGE PROTECTION Fuse-link with Striker

- Sizes 0, 1, 2, 3
- 500 and 690 Volt ratings - 32A through 630A
- All ratings include striker



aM

SHORT CIRCUIT PROTECTION

- Sizes 000, 00, 0, 1, 2, 3
- 400, 500 and 690 Volt ratings - 2A through 800A
- All ratings include indicator
- All equipped for microswitch mounting

aM

SHORT CIRCUIT PROTECTION

Fuse-link with Striker

- Sizes 0, 1, 2, 3
- 500 and 690 Volt ratings - 32A through 630A
- All ratings include striker
- Certification
DIN 57636
VDE 60269
NFC 63210, 63211
IEC 269-1, 2, 2A
UNE 21103
- Approved by Lloyds Register of Shipping and Bureau Veritas

aM

NH DIMENSION KNIFE-BLADE FUSE-LINKS

Catalog Numbers, Ratings – aM



SIZE	RATED IN CURRENT (A)	RATED VOLTAGE	CATALOG NUMBER	INTERRUPTED RATING (A)	STD. PACK
000	2	690V	2C613	80,000	3
	4		2C619		3
	6		2C623		3
	10		2C631		3
	16		2C635		3
	20		2C637		3
	25		2C639		3
	32		2C643		3
	35		2C645		3
	40		2C647		3
	50		2C651		3
	63		2C655		3
00	50	690V	2C751	80,000	3
	63		2C755		3
	80		2C759		3
	100		2C763		3
	125		2C765		3
0	6	690V	2C023	80,000	3
	10		2C031		3
	16		2C035		3
	20		2C037		3
	25		2C039		3
	32		2C043		3
	35		2C045		3
	40		2C047		3
	50		2C051		3
	63		2C055		3
	80		2C059		3
	100		2C063		3
	125		2C065		3
	160		2C069		3
1	16	690V	2C135	80,000	3
	20		2C137		3
	25		2C139		3
	32		2C143		3
	35		2C145		3
	40		2C147		3
	50		2C151		3
	63		2C155		3
	80		2C159		3

Microswitch – Sizes 000 to 3

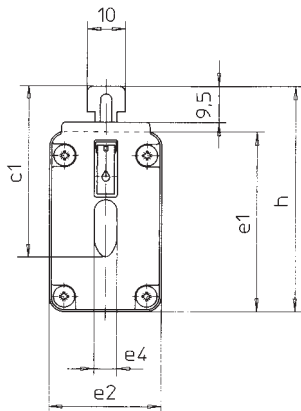
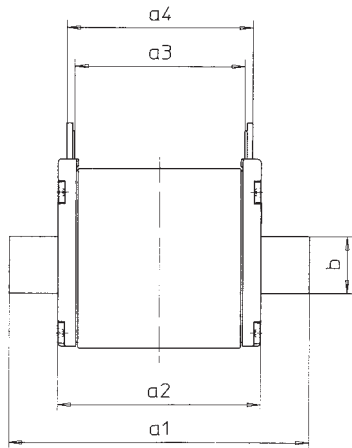
CATALOG NUMBER	REF. NUMBER	STD. PKG.
MS4L2-5B6+PRES*	F210156	3
MS4L2-5B2+PRES**	G210157	3

*6.3 mm clips. **2.8mm clips

aM

NH DIMENSION KNIFE-BLADE FUSE-LINKS

Catalog Numbers, Ratings – aM



SIZE	RATED IN CURRNET (A)	RATED VOLTAGE	CATALOG NUMBER	INERRUPT RATING (A)	STD PACK
1	100	690V	2C163	80,000	3
	125		2C165		3
	160		2C169		3
	200		2C171		3
	224		2C173		3
	250		2C175		3
2	35	690V	2C245	80,000	3
	40		2C247		3
	50		2C251		3
	63		2C255		3
	80		2C259		3
	100		2C263		3
	125		2C265		3
	160		2C269		3
	200		2C271		3
	224		2C273		3
	250		2C275		3
	315		2C279		3
	355		2C281		3
	400		2C283		3
3	250	690V	2C375	80,000	1
	300		2C377		1
	315		2C379		1
	355		2C381		1
	400		2C383		1
	425		2C385		1
	450		2C386		1
	500		2CC387		1
	630		500V		2B389
	800	400V	2A391		1

F

Dimensions

SIZE	RATED CURRENT IN A	a ₁	a ₂	a ₃	a ₄	b	c ₁	e ₁	e ₂	e ₃	h
NH 690 V aM with VOLTAGE-CONDUCTING GRIP LUG											
SIZE 000	2-35A	79	53,8	45	49	15	35,8	40	20	6	47,8
SIZE 00	40-100A	79	53,8	45	49	15	35,8	48	30	6	47,8
SIZE 1	16-160A	135	75	64	68	20	40	44	30	6	52
SIZE 1	200A	135	75	64	68	20	40	47	39	6	52
SIZE 2	35-100A	150	75	64	68	26	48	44	30	6	60
SIZE 2	125-315A	150	75	64	68	26	60	47	39	6	72
SIZE 3	250/300A	150	75	64	68	26	60	47	39	6	72
SIZE 3	315-425A	150	75	64	68	33	60	58	51	6	72
SIZE 3	500A	150	75	64	68	33	60	70	64	6	72

aM with striker NH DIMENSION KNIFE-BLADE FUSE-LINKS

Catalog Numbers, Ratings – aM with Striker

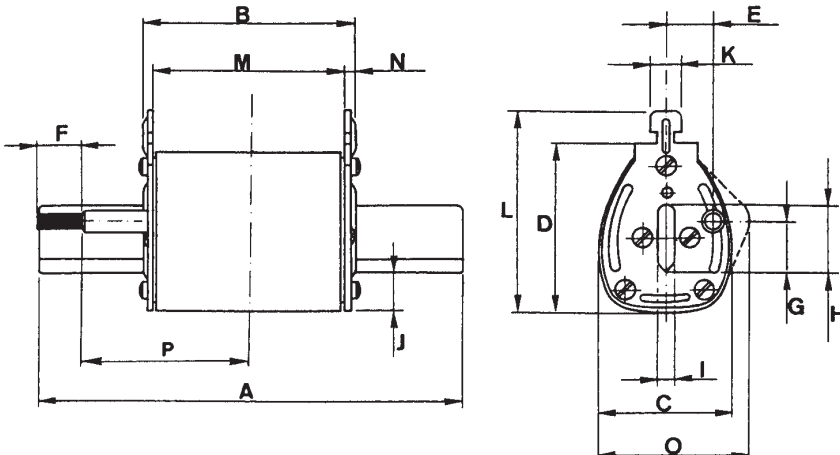


Striker

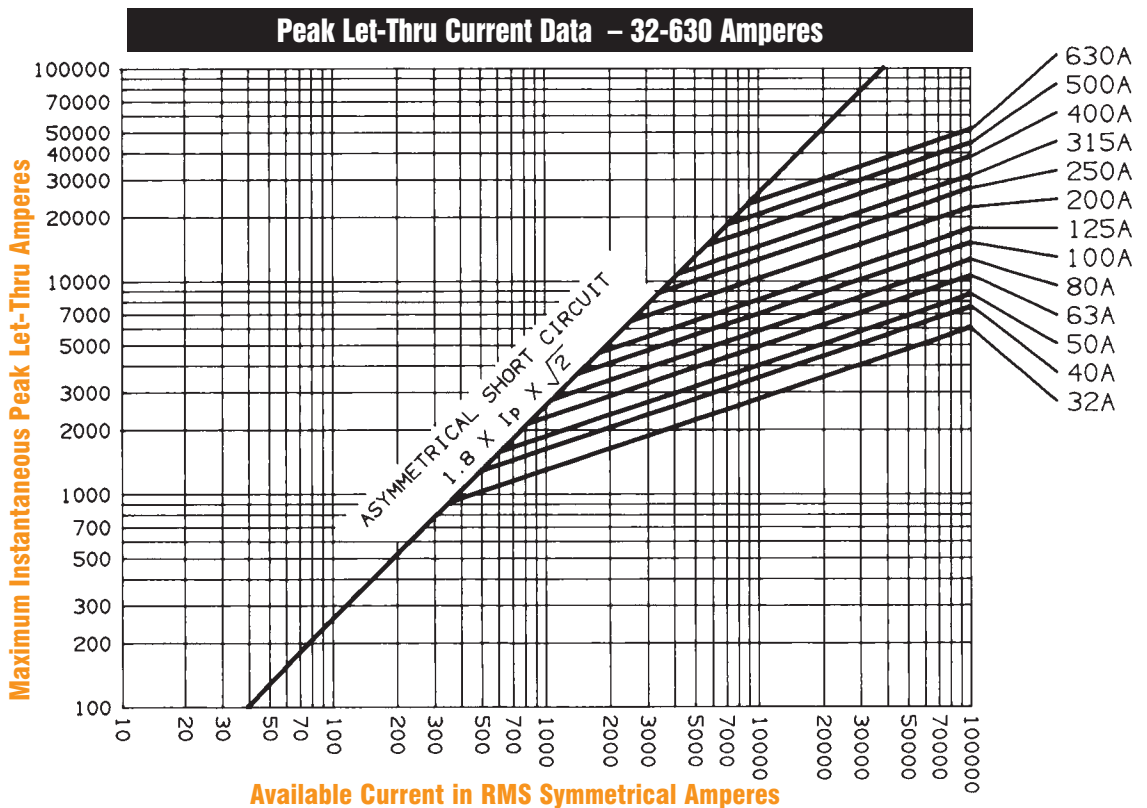
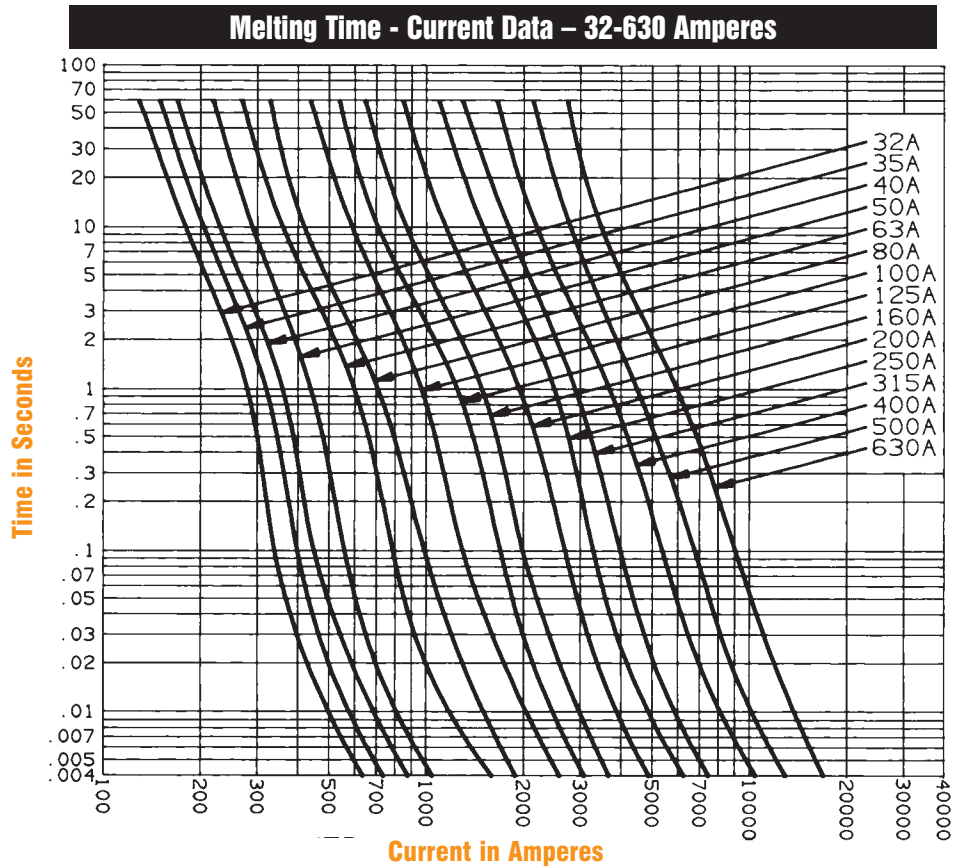


SIZE	RATED In CURRENT (A)	RATED VOLTAGE	CATALOG NUMBER	INTERRUPTING RATING (A)	STANDARD PACK			
0S	32	690V	37443-G	80,000	5			
	40		37447-G					
	50		37451-G					
	63		37455-G					
	80		37459-G					
	100		37463-G					
	125		37465-G					
0	160	37469-G						
	200	500V	37471-G					
1	80	690V	37559-G	80,000	5			
	100		37563-G					
	125		37565-G					
	160		37569-G					
	200		37571-G					
	224		37573-G					
	250		500V			37575-G		
2	125	690V	37665-G	80,000	5			
	160		37669-G					
	200		37671-G					
	224		37673-G					
	250		37675-G					
	315		37679-G					
	355		37681-G					
	400		37683-G					
	500		500V			37687-G		
	3		315			690V	37779-G	80,000
355		37781-G						
400		37783-G						
500		37787-G						
630		500V	37789-G	120,000				

Dimensions

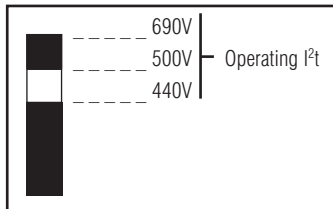


	0	1	2	3
A	124.5	134.5	150	150
B	66	67	67	67
C	39	40	56	69
D	49	55	62.5	76
E	14.5	16	19	24
F	15.5	15.5	15.5	15.5
G	14	14.5	14.5	14.5
H	15	20	26	32
I	6	6	6	6
J	14	14	15	16
K	10	10	10	10
L	59	65	72.5	86
M	60	61	61	61
N	3	3	3	3
O	41.5	45	-	-
P	47	52	60	60



Power Loss (Watts) at Rated Current without striker

RATED CURRENT In (A)	SIZE				
	00	0/0S	1	2	3
16	1.1W				
20	1.4W				
25	1.7W				
32	2.2W	2.2W			
35	2.4W	2.4W			
40	2.8W	2.8W			
50	3.6W	3.6W	3.6W		
63	4.6W	4.6W	4.6W	4.6W	
80	6.0W	6.0W	6.0W	6.0W	
100	7.5W	7.5W	7.5W	7.5W	
125	9.5W	9.5W	9.5W	9.6W	
160	10.7W	12.0	12.7W	12.7W	
200		18.0	16.4W	16.4W	
224			21.5W	18.7W	
250			29.0W	21.5	
315				29.0	25.0W
355				32.0	29.0W
400				34.0	34.0W
425					38.5W
500				45.0W	45.0W
630					60.0W



I²t Characteristics – Discrimination

